



Air Conditioning & Heating

# GPC13H

## 2- TO 5-TON PACKAGED AIR CONDITIONER 13 SEER

**COOLING CAPACITY: 24,000 - 57,500 BTU/H**

### Contents

Nomenclature .....	2
Accessories .....	2
Product Specifications .....	3
Expanded Cooling Data .....	4
Airflow Data .....	16
Heater Kit Specifications .....	17
Dimensions .....	18
Wiring Diagrams .....	19



### Standard Features

- Energy-efficient compressor with internal relief valve
- PSC blower motor; ECM blower motor on 5-ton units
- Quiet horizontal discharge
- Copper tube / aluminum fin condenser coil
- Totally enclosed, permanently lubricated condenser fan motor
- Fully charged system
- 5 kW to 20 kW electric heat kits available as field-installed accessories
- AHRI Certified; ETL Listed

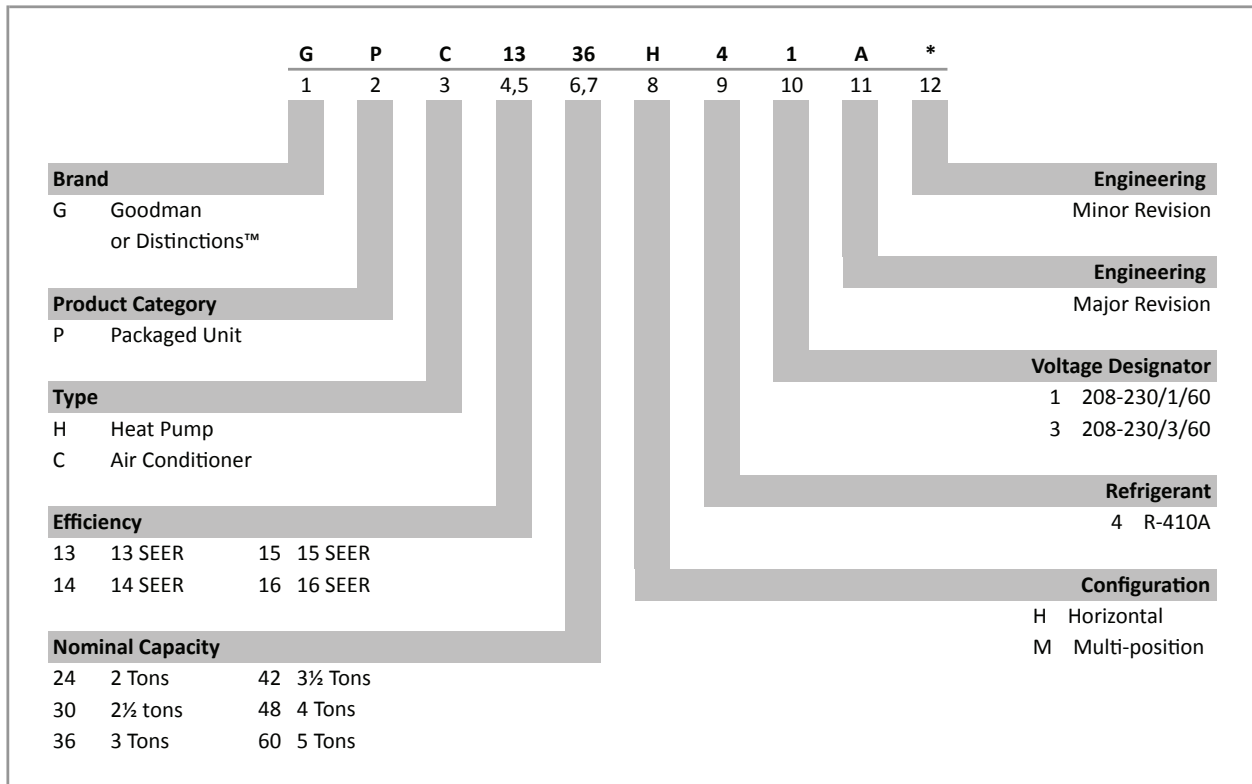
### Cabinet Features

- Heavy-gauge galvanized-steel cabinet with attractive Architectural Gray powder-paint finish
- Fully insulated blower compartment with convenient access panels
- Louvered condenser coil protection
- One footprint; three heights



\* Complete warranty details available from your local dealer or at [www.goodmanmfg.com](http://www.goodmanmfg.com). To receive the 10-Year Parts Limited Warranty, online registration must be completed within 60 days of installation. Online registration is not required in California or Quebec.

NOMENCLATURE



ACCESSORIES

ACCESSORY DESCRIPTION	ITEM NUMBER	
	SMALL CHASSIS	MEDIUM/LARGE CHASSIS
Downflow Economizer	PCE101-103	PCE101-103
Downflow Plenum Kit	PCP101-103	PCP101-103
Downflow Plenum Kit (R-8)	PCP101-103 R8	PCP101-103 R8
Elbow Flashing w/ R-8 Liner	PCEF101-103	PCEF101-103
Emergency Heat Relay	OT/EHR18-60	OT/EHR18-60
External Horizontal Filter Rack	GPGHFR101-103	GPGHFR101-103
Horizontal Economizer	PEHH101-103	PEHH101-103
Manual Damper	PCMD101-103	PCMD101-103
Manual Damper- Horizontal Application	PCMDH101-103	PCMDH101-103
Motorized Damper	PCMDM101-103	PCMDM101-103
Outdoor Thermostat w/ Lockout Stat	OT18-60A	OT18-60A
Roof Curb	PCCP101-103	PCCP101-103
Square-to-Round	SQRPC101	SQRPC102/103
Square-to-Round for Horizontal Application	SQRPCH101	SQRPCH102/103

**SPECIFICATIONS**

	<b>GPC13 24H41C*</b>	<b>GPC13 30H41C*</b>	<b>GPC13 36H41C*</b>	<b>GPC13 42H41C*</b>	<b>GPC13 49H41C*</b>	<b>GPC13 60H41D*</b>
<b>COOLING CAPACITY</b>						
Total BTU/h	22,800	28,600	36,000	41,000	45,500	57,500
Sensible BTU/h	17,100	22,700	26,000	31,600	34,700	43,000
SEER / EER	13.0 / 11.0	13.0 / 11.0	13.0 / 11.0	13.0 / 11.0	13.0 / 11.0	13.0 / 11.0
Decibels	76	76	78	78	80	80
AHRI #	5732582	5677879	5677880	5677881	5677883	5677884
<b>EVAPORATOR MOTOR</b>						
Type	PSC	PSC	PSC	PSC	PSC	EEM
Wheel (D x W)	9 x 6	9 x 6	9 x 8	10 x 8	10 x 8	11 x 8
Nominal Cooling CFM	850	1,050	1,200	1,400	1,600	1,900
RLA / LRA	1.5 / 2.2	1.86 / 3.2	1.86 / 3.2	2.87 / 4.9	2.87 / 4.9	5.8 / 8.0
No. of Speeds	3	3	3	3	3	3
Horsepower - RPM	¼ - 952	⅓ - 1,020	⅓ - 1,020	½ - 1,005	½ - 1,005	¾ - 1,250
<b>EVAPORATOR COIL</b>						
Face Area (ft <sup>2</sup> )	4.66	4.66	5.25	6.20	6.20	7.00
Rows Deep / Fins per Inch	3 / 14	3 / 14	3 / 14	4 / 14	4 / 14	4 / 14
Filter Size (")	20 x 20 x 1	20 x 25 x 1	25 x 25 x 1	(2) 20 x 20 x 1	(2) 20 x 20 x 1	(2) 20 x 25 x 1
All-Aluminum Coil	X	X	X	X	X	X
Drain Size (NPT)	¾"	¾"	¾"	¾"	¾"	¾"
Refrigerant Charge (oz.)	62	62	61	88	80	93
<b>CONDENSER FAN / COIL</b>						
Horsepower - RPM	⅓ - 815	⅓ - 815	¼ - 830	¼ - 1,075	¼ - 1,075	¼ - 1,075
RLA / LRA	1.1 / 1.7	1.1 / 1.7	1.5 / 3.0	1.4 / 2.9	1.4 / 2.9	1.4 / 2.9
Fan Diameter / # Fan Blades	22 / 2	22 / 2	22 / 4	22 / 4	22 / 4	22 / 4
Face Area (ft <sup>2</sup> )	12.3	12.3	12.3	16	16	19.5
Rows Deep / Fins per Inch	1 / 26	1 / 26	1 / 26	1 / 28	1 / 28	1 / 28
<b>COMPRESSOR</b>						
Quantity / Type	1 / Rotary	1 / Scroll	1 / Scroll	1 / Scroll	1 / Scroll	1 / Scroll
Stage	Single	Single	Single	Single	Single	Single
Compressor RLA / LRA	7.7 / 37	12.8 / 64	16.7 / 79	17.9 / 112	19.9 / 109	26.4 / 134
<b>ELECTRICAL DATA</b>						
Voltage-Phase (60 Hz)	208/230-1	208/230-1	208/230-1	208/230-1	208/230-1	208/230-1
Indoor Blower FLA	1.5	1.86	1.86	2.87	2.87	5.8
Outdoor Fan RLA	1.1	1.1	1.5	1.4	1.4	1.4
Total Unit Amps	10.3	15.76	20.06	22.2	24.17	33.6
Min. Circuit Ampacity <sup>1</sup>	12.2	19	24.2	26.6	29.2	40.2
Max. Overcurrent Protection (amps) <sup>2</sup>	15	30	40	40	45	60
<b>SHIP WEIGHT (LBS)</b>	305	305	320	375	375	375

<sup>1</sup> Wire size should be determined in accordance with National Electrical Codes. Extensive wire runs will require larger wire sizes.

<sup>2</sup> May use fuses or HACR-type circuit breakers of the same size as noted.

Note: Always check the S&R plate for electrical data on the unit being installed.

EXPANDED COOLING DATA — GPC1324H41\*\*

IDB	AIRFLOW	OUTDOOR AMBIENT TEMPERATURE																													
		65°F					75°F					85°F					95°F					105°F					115°F				
		59	63	67	71	75	59	63	67	71	75	59	63	67	71	75	59	63	67	71	75	59	63	67	71	75	59	63	67	71	75
<b>950</b>	MBh	23.2	24.0	26.3	-	22.6	23.5	25.7	-	22.1	22.9	25.1	-	21.6	22.3	24.5	-	20.5	21.2	23.3	-	19.0	19.7	21.5	-						
	S/T	1.00	1.00	1.00	-	1.00	1.00	1.00	-	1.00	1.00	1.00	-	1.00	1.00	1.00	-	1.00	1.00	1.00	-	1.00	1.00	1.00	-						
	ΔT	22	23	25	-	22	23	25	-	21	22	24	-	21	22	24	-	20	21	23	-	18	19	21	-						
	kW	1.63	1.67	1.72	-	1.75	1.79	1.84	-	1.86	1.90	1.96	-	1.95	1.99	2.06	-	2.03	2.07	2.14	-	2.10	2.14	2.21	-						
	Amps	7.1	7.2	7.4	-	7.6	7.7	7.9	-	8.1	8.3	8.5	-	8.6	8.8	9.0	-	9.0	9.2	9.5	-	9.5	9.7	10.0	-						
<b>850</b>	Hi PR	217	234	247	-	244	263	277	-	278	299	315	-	316	340	359	-	356	383	404	-	393	423	447	-						
	Lo PR	110	117	127	-	116	123	135	-	121	128	140	-	127	135	147	-	133	141	154	-	137	146	159	-						
	MBh	22.8	23.7	25.9	-	22.3	23.1	25.3	-	21.8	22.6	24.7	-	21.2	22.0	24.1	-	20.2	20.9	22.9	-	18.7	19.4	21.2	-						
	S/T	1.00	1.00	1.00	-	1.00	1.00	1.00	-	1.00	1.00	1.00	-	1.00	1.00	1.00	-	1.00	1.00	1.00	-	1.00	1.00	1.00	-						
	ΔT	25	26	28	-	24	25	27	-	24	24	27	-	23	24	26	-	22	23	25	-	20	21	23	-						
<b>750</b>	kW	1.63	1.66	1.71	-	1.74	1.78	1.83	-	1.85	1.89	1.95	-	1.94	1.98	2.04	-	2.02	2.06	2.13	-	2.09	2.13	2.20	-						
	Amps	7.0	7.2	7.4	-	7.5	7.7	7.9	-	8.1	8.2	8.5	-	8.5	8.7	9.0	-	9.0	9.2	9.5	-	9.5	9.7	9.9	-						
	Hi PR	216	232	245	-	242	261	275	-	276	297	313	-	314	338	357	-	353	380	401	-	390	420	443	-						
	Lo PR	109	116	127	-	115	123	134	-	120	127	139	-	126	134	146	-	132	140	153	-	136	145	158	-						
	MBh	21.7	22.5	24.6	-	21.2	22.0	24.1	-	20.7	21.4	23.5	-	20.2	20.9	22.9	-	19.2	19.9	21.8	-	17.8	18.4	20.2	-						
<b>70</b>	S/T	1.00	1.00	1.00	-	1.00	1.00	1.00	-	1.00	1.00	1.00	-	1.00	1.00	1.00	-	1.00	1.00	1.00	-	1.00	1.00	1.00	-						
	ΔT	27	28	30	-	26	27	29	-	25	26	29	-	25	26	28	-	23	24	27	-	22	23	25	-						
	kW	1.60	1.63	1.68	-	1.72	1.75	1.81	-	1.82	1.86	1.92	-	1.91	1.95	2.01	-	1.99	2.03	2.09	-	2.05	2.10	2.16	-						
	Amps	6.9	7.1	7.3	-	7.4	7.6	7.8	-	7.9	8.1	8.3	-	8.4	8.6	8.8	-	8.9	9.0	9.3	-	9.3	9.5	9.8	-						
	Hi PR	212	228	241	-	237	256	270	-	270	291	307	-	308	331	350	-	346	372	393	-	382	412	435	-						
Lo PR	107	114	124	-	113	120	131	-	117	125	136	-	123	131	143	-	129	137	150	-	134	142	155	-							

<b>950</b>	MBh	23.6	24.3	26.3	28.2	23.0	23.7	25.7	27.5	22.5	23.1	25.0	26.9	21.9	22.6	24.4	26.2	20.8	21.4	23.2	24.9	19.3	19.9	21.5	23.1
	S/T	1.00	1.00	1.00	1.00	1.00	1.00	1.00	1.00	1.00	1.00	1.00	1.00	1.00	1.00	1.00	1.00	1.00	1.00	1.00	1.00	1.00	1.00	1.00	1.00
	ΔT	23	23	25	27	22	23	25	27	22	22	24	26	21	22	24	25	20	21	22	24	19	19	21	22
	kW	1.65	1.68	1.73	1.78	1.77	1.80	1.86	1.92	1.87	1.91	1.97	2.04	1.97	2.01	2.07	2.14	2.05	2.09	2.16	2.23	2.12	2.16	2.23	2.30
	Amps	7.1	7.3	7.5	7.7	7.6	7.8	8.0	8.2	8.2	8.3	8.6	8.8	8.6	8.8	9.1	9.4	9.1	9.3	9.6	9.9	9.6	9.8	10.1	10.4
<b>850</b>	Hi PR	220	236	250	260	247	265	280	292	280	302	319	332	319	344	363	378	359	387	408	426	397	427	451	470
	Lo PR	111	118	129	137	117	125	136	145	122	130	141	151	128	136	149	158	134	143	156	166	139	147	161	171
	MBh	23.2	23.9	25.9	27.8	22.7	23.4	25.3	27.1	22.1	22.8	24.7	26.5	21.6	22.2	24.1	25.8	20.5	21.1	22.9	24.5	19.0	19.6	21.2	22.7
	S/T	1.00	1.00	1.00	1.00	1.00	1.00	1.00	1.00	1.00	1.00	1.00	1.00	1.00	1.00	1.00	1.00	1.00	1.00	1.00	1.00	1.00	1.00	1.00	1.00
	ΔT	25	26	28	30	25	25	27	29	24	25	27	29	23	24	26	28	22	23	25	27	21	21	23	25
<b>750</b>	kW	1.64	1.67	1.72	1.77	1.76	1.79	1.85	1.91	1.86	1.90	1.96	2.02	1.96	2.00	2.06	2.13	2.04	2.08	2.15	2.22	2.10	2.15	2.22	2.29
	Amps	7.1	7.2	7.4	7.7	7.6	7.7	7.9	8.2	8.1	8.3	8.5	8.8	8.6	8.8	9.0	9.3	9.1	9.3	9.5	9.8	9.5	9.7	10.0	10.4
	Hi PR	218	235	248	259	245	263	278	290	278	300	316	330	317	341	360	376	357	384	405	423	394	424	448	467
	Lo PR	110	117	128	136	116	124	135	144	121	129	140	150	127	135	148	157	133	142	155	165	138	146	160	170
	MBh	22.1	22.7	24.6	26.4	21.5	22.2	24.0	25.8	21.0	21.7	23.4	25.2	20.5	21.1	22.9	24.5	19.5	20.1	21.7	23.3	18.1	18.6	20.1	21.6
<b>70</b>	S/T	1.00	1.00	1.00	1.00	1.00	1.00	1.00	1.00	1.00	1.00	1.00	1.00	1.00	1.00	1.00	1.00	1.00	1.00	1.00	1.00	1.00	1.00	1.00	1.00
	ΔT	27	28	30	32	26	27	29	32	26	27	29	31	25	26	28	30	24	25	27	29	22	23	25	26
	kW	1.61	1.65	1.69	1.75	1.73	1.77	1.82	1.88	1.83	1.87	1.93	1.99	1.93	1.97	2.03	2.09	2.00	2.05	2.11	2.18	2.07	2.11	2.18	2.25
	Amps	7.0	7.1	7.3	7.6	7.5	7.6	7.8	8.1	8.0	8.2	8.4	8.7	8.5	8.6	8.9	9.2	8.9	9.1	9.4	9.7	9.4	9.6	9.9	10.2
	Hi PR	214	230	243	253	240	258	273	284	273	294	310	323	311	334	353	368	350	376	397	414	386	416	439	458
Lo PR	108	115	125	133	114	121	132	141	118	126	138	147	124	132	145	154	130	139	151	161	135	144	157	167	

IDB: Entering Indoor Dry Bulb Temperature  
 High and low pressures are measured at the liquid and suction access fittings.  
 Shaded area reflects ACCA (TVA) conditions  
 Amps: Unit amps (compressor+ evaporator + condenser fan motors).  
 kW = Total system power

EXPANDED COOLING DATA — GPC1324H41\*\* (CONT.)

IDB	AIRFLOW	OUTDOOR AMBIENT TEMPERATURE												ENTERING INDOOR WET BULB TEMPERATURE											
		65°F				75°F				85°F				95°F				105°F				115°F			
		59	63	67	71	59	63	67	71	59	63	67	71	59	63	67	71	59	63	67	71	59	63	67	71
80	MBh	24.0	24.5	26.2	28.0	23.4	23.9	25.6	27.3	22.9	23.4	25.0	26.7	22.3	22.8	24.4	26.0	21.2	21.7	23.1	24.7	19.6	20.1	21.4	22.9
	S/T	1.00	1.00	1.00	1.00	1.00	1.00	1.00	1.00	1.00	1.00	1.00	1.00	1.00	1.00	1.00	1.00	1.00	1.00	1.00	1.00	1.00	1.00	1.00	1.00
	ΔT	23	24	25	27	23	23	25	26	22	22	23	24	22	22	22	24	21	21	21	22	19	19	21	22
	kW	1.66	1.69	1.74	1.80	1.78	1.82	1.87	1.93	1.89	1.93	1.99	2.05	1.98	2.03	2.09	2.16	2.06	2.11	2.18	2.25	2.13	2.18	2.25	2.32
	Amps	7.2	7.3	7.5	7.8	7.7	7.8	8.0	8.3	8.2	8.4	8.6	8.9	8.7	8.9	9.2	9.5	9.2	9.4	9.7	10.0	9.7	9.9	10.2	10.5
950	Hi PR	222	239	252	263	249	268	283	295	283	305	322	336	323	347	367	382	363	391	412	430	401	431	456	475
	Lo PR	112	119	130	139	118	126	137	146	123	131	143	152	129	137	150	160	135	144	157	167	140	149	163	173
	MBh	23.6	24.1	25.8	27.6	23.1	23.6	25.2	26.9	22.5	23.0	24.6	26.3	22.0	22.5	24.0	25.7	20.9	21.3	22.8	24.4	19.3	19.8	21.1	22.6
	S/T	1.00	1.00	1.00	1.00	1.00	1.00	1.00	1.00	1.00	1.00	1.00	1.00	1.00	1.00	1.00	1.00	1.00	1.00	1.00	1.00	1.00	1.00	1.00	1.00
	ΔT	26	26	28	30	25	26	27	29	24	25	27	28	24	24	26	28	23	23	25	26	21	21	23	24
850	kW	1.65	1.68	1.73	1.79	1.77	1.81	1.86	1.92	1.88	1.92	1.98	2.04	1.97	2.01	2.08	2.15	2.05	2.10	2.16	2.23	2.12	2.17	2.24	2.31
	Amps	7.2	7.3	7.5	7.7	7.6	7.8	8.0	8.3	8.2	8.4	8.6	8.9	8.7	8.8	9.1	9.4	9.1	9.3	9.6	9.9	9.6	9.8	10.1	10.4
	Hi PR	220	237	250	261	247	266	281	293	281	303	320	333	320	345	364	380	360	388	410	427	398	428	452	472
	Lo PR	111	118	129	138	118	125	136	145	122	130	142	151	128	136	149	159	134	143	156	166	139	148	162	172
	MBh	22.5	22.9	24.5	26.2	21.9	22.4	23.9	25.6	21.4	21.9	23.4	25.0	20.9	21.3	22.8	24.4	19.8	20.3	21.7	23.2	18.4	18.8	20.1	21.4
750	S/T	1.00	1.00	1.00	1.00	1.00	1.00	1.00	1.00	1.00	1.00	1.00	1.00	1.00	1.00	1.00	1.00	1.00	1.00	1.00	1.00	1.00	1.00	1.00	1.00
	ΔT	28	28	30	32	27	27	29	31	26	27	29	31	26	26	28	30	24	25	27	28	23	23	25	26
	kW	1.63	1.66	1.71	1.76	1.74	1.78	1.83	1.89	1.85	1.89	1.95	2.01	1.94	1.98	2.04	2.11	2.02	2.06	2.13	2.20	2.09	2.13	2.20	2.27
	Amps	7.0	7.2	7.4	7.6	7.5	7.7	7.9	8.1	8.1	8.2	8.5	8.7	8.5	8.7	9.0	9.2	9.0	9.2	9.5	9.8	9.5	9.7	9.9	10.3
	Hi PR	216	232	245	256	242	261	275	287	276	297	313	327	314	338	357	372	353	380	401	419	390	420	443	462
85	Lo PR	109	116	127	135	115	123	134	142	120	127	139	148	126	134	146	156	132	140	153	163	136	145	158	169
	MBh	24.4	24.9	26.1	27.8	23.8	24.3	25.5	27.2	23.3	23.7	24.8	26.5	22.7	23.1	24.2	25.9	21.6	22.0	23.0	24.6	20.0	20.4	21.3	22.8
	S/T	1.00	1.00	1.00	1.00	1.00	1.00	1.00	1.00	1.00	1.00	1.00	1.00	1.00	1.00	1.00	1.00	1.00	1.00	1.00	1.00	1.00	1.00	1.00	1.00
	ΔT	24	24	25	27	23	24	25	26	23	23	24	26	22	22	23	25	21	21	22	24	19	20	21	22
	kW	1.67	1.71	1.76	1.81	1.79	1.83	1.89	1.95	1.90	1.94	2.00	2.07	2.00	2.04	2.11	2.17	2.08	2.13	2.19	2.27	2.15	2.20	2.27	2.34
950	Amps	7.2	7.4	7.6	7.8	7.7	7.9	8.1	8.4	8.3	8.5	8.7	9.0	8.8	9.0	9.2	9.5	9.3	9.5	9.7	10.1	9.7	10.0	10.3	10.6
	Hi PR	224	241	255	266	252	271	286	298	286	308	325	339	326	351	370	386	367	394	416	434	405	436	460	480
	Lo PR	113	120	131	140	120	127	139	148	124	132	144	154	130	139	152	161	137	145	159	169	141	150	164	175
	MBh	24.0	24.5	25.7	27.4	23.5	23.9	25.1	26.8	22.9	23.4	24.5	26.1	22.4	22.8	23.9	25.5	21.2	21.7	22.7	24.2	19.7	20.1	21.0	22.4
	S/T	1.00	1.00	1.00	1.00	1.00	1.00	1.00	1.00	1.00	1.00	1.00	1.00	1.00	1.00	1.00	1.00	1.00	1.00	1.00	1.00	1.00	1.00	1.00	1.00
850	ΔT	26	27	28	30	25	26	27	29	25	25	26	28	24	25	26	28	23	23	25	26	21	22	23	24
	kW	1.66	1.70	1.75	1.80	1.79	1.82	1.88	1.94	1.89	1.93	1.99	2.06	1.99	2.03	2.09	2.16	2.07	2.11	2.18	2.25	2.14	2.19	2.26	2.33
	Amps	7.2	7.4	7.6	7.8	7.7	7.8	8.1	8.3	8.3	8.4	8.7	8.9	8.7	8.9	9.2	9.5	9.2	9.4	9.7	10.0	9.7	9.9	10.2	10.5
	Hi PR	223	240	253	264	250	269	284	296	284	306	323	337	324	348	368	383	364	392	414	431	402	433	457	477
	Lo PR	112	120	130	139	119	126	138	147	123	131	143	153	130	138	150	160	136	144	158	168	140	149	163	174
750	MBh	22.8	23.3	24.4	26.0	22.3	22.7	23.8	25.4	21.8	22.2	23.3	24.8	21.2	21.7	22.7	24.2	20.2	20.6	21.6	23.0	18.7	19.1	20.0	21.3
	S/T	1.00	1.00	1.00	1.00	1.00	1.00	1.00	1.00	1.00	1.00	1.00	1.00	1.00	1.00	1.00	1.00	1.00	1.00	1.00	1.00	1.00	1.00	1.00	1.00
	ΔT	28	29	30	32	27	28	29	31	27	27	29	30	26	27	28	30	25	25	26	28	23	23	24	26
	kW	1.64	1.67	1.72	1.77	1.76	1.79	1.85	1.91	1.86	1.90	1.96	2.02	1.96	2.00	2.06	2.13	2.04	2.08	2.15	2.22	2.10	2.15	2.22	2.29
	Amps	7.1	7.2	7.4	7.7	7.6	7.7	7.9	8.2	8.1	8.3	8.5	8.8	8.6	8.8	9.0	9.3	9.1	9.3	9.5	9.8	9.5	9.7	10.0	10.4
85	Hi PR	218	235	248	259	245	263	278	290	278	300	316	330	317	341	360	376	357	384	405	423	394	424	448	467
	Lo PR	110	117	128	136	116	124	135	144	121	129	140	150	127	135	147	157	133	142	155	165	138	146	160	170

kW = Total system power  
Amps: Unit amps (compressor+ evaporator + condenser fan motors).

Shaded area reflects AHRI (TVA) conditions.

IDB: Entering Indoor Dry Bulb Temperature  
High and low pressures are measured at the liquid and suction access fittings.

EXPANDED COOLING DATA — GPC1330H41\*\*

IDB	AIRFLOW	OUTDOOR AMBIENT TEMPERATURE												ENTERING INDOOR WET BULB TEMPERATURE													
		65°F				75°F				85°F				95°F				105°F				115°F					
		59	63	67	71	59	63	67	71	59	63	67	71	59	63	67	71	59	63	67	71	59	63	67	71		
70	1180	MBh	28.0	29.0	31.8	-	27.4	28.4	31.1	-	26.7	27.7	30.3	-	26.1	27.0	29.6	-	24.8	25.7	28.1	-	22.9	23.8	26.1	-	
		S/T	0.76	0.64	0.44	-	0.79	0.66	0.46	-	0.81	0.68	0.47	-	0.84	0.70	0.48	-	0.87	0.72	0.50	-	0.87	0.73	0.51	-	
		ΔT	17	14	11	-	17	15	11	-	17	15	11	-	17	15	11	-	17	14	11	-	16	14	10	-	
	1050	kW	2.04	2.08	2.14	-	2.19	2.23	2.30	-	2.32	2.37	2.44	-	2.44	2.49	2.57	-	2.54	2.59	2.67	-	2.62	2.68	2.76	-	
		Amps	8.8	9.0	9.2	-	9.4	9.6	9.8	-	10.0	10.3	10.5	-	10.6	10.8	11.1	-	11.2	11.4	11.7	-	11.8	12.0	12.3	-	
		Hi PR	226	243	256	-	253	272	288	-	288	310	327	-	328	353	373	-	369	397	419	-	408	439	463	-	
	920	Lo PR	109	116	127	-	116	123	134	-	120	128	139	-	126	134	146	-	132	141	154	-	137	145	159	-	
		MBh	27.2	28.2	30.9	-	26.6	27.5	30.2	-	25.9	26.9	29.5	-	25.3	26.2	28.7	-	24.0	24.9	27.3	-	22.3	23.1	25.3	-	
		S/T	0.73	0.61	0.42	-	0.75	0.63	0.44	-	0.77	0.64	0.45	-	0.80	0.67	0.46	-	0.83	0.69	0.48	-	0.83	0.70	0.48	-	
	75	1180	ΔT	17	15	11	-	18	15	12	-	18	15	12	-	18	15	12	-	17	15	11	-	16	14	11	-
			kW	2.02	2.06	2.13	-	2.17	2.22	2.28	-	2.30	2.35	2.42	-	2.42	2.47	2.55	-	2.52	2.57	2.65	-	2.60	2.66	2.74	-
			Amps	8.8	8.9	9.2	-	9.3	9.5	9.8	-	10.0	10.2	10.5	-	10.5	10.8	11.1	-	11.1	11.3	11.7	-	11.7	11.9	12.2	-
1050		Hi PR	223	240	254	-	251	270	285	-	285	307	324	-	325	349	369	-	365	393	415	-	404	434	459	-	
		Lo PR	108	115	126	-	114	122	133	-	119	126	138	-	125	133	145	-	131	139	152	-	135	144	157	-	
		MBh	25.1	26.0	28.5	-	24.5	25.4	27.9	-	23.9	24.8	27.2	-	23.4	24.2	26.5	-	22.2	23.0	25.2	-	20.6	21.3	23.3	-	
920		S/T	0.70	0.58	0.41	-	0.73	0.61	0.42	-	0.74	0.62	0.43	-	0.77	0.64	0.44	-	0.80	0.67	0.46	-	0.80	0.67	0.47	-	
		ΔT	18	15	12	-	18	15	12	-	18	15	12	-	18	16	12	-	18	15	12	-	17	14	11	-	
		kW	1.98	2.02	2.08	-	2.12	2.16	2.23	-	2.25	2.30	2.37	-	2.36	2.41	2.49	-	2.46	2.51	2.59	-	2.54	2.59	2.67	-	
1180		Amps	8.6	8.7	9.0	-	9.1	9.3	9.5	-	9.7	9.9	10.2	-	10.3	10.5	10.8	-	10.8	11.1	11.4	-	11.4	11.6	12.0	-	
		Hi PR	217	233	246	-	243	262	276	-	277	298	314	-	315	339	358	-	354	381	403	-	391	421	445	-	
		Lo PR	105	112	122	-	111	118	129	-	115	123	134	-	121	129	141	-	127	135	147	-	131	140	153	-	
75	1180	MBh	28.5	29.3	31.8	34.1	27.8	28.7	31.0	33.3	27.2	28.0	30.3	32.5	26.5	27.3	29.5	31.7	25.2	25.9	28.1	30.1	23.3	24.0	26.0	27.9	
		S/T	0.87	0.77	0.59	0.38	0.90	0.80	0.61	0.39	0.92	0.82	0.62	0.40	0.95	0.85	0.64	0.41	0.99	0.88	0.67	0.43	0.99	0.89	0.67	0.43	
		ΔT	19	18	14	10	19	18	15	10	19	18	15	10	20	18	15	10	19	18	15	10	18	17	14	9	
	1050	kW	2.05	2.10	2.16	2.23	2.21	2.25	2.32	2.39	2.34	2.39	2.46	2.54	2.46	2.51	2.59	2.67	2.56	2.61	2.70	2.78	2.64	2.70	2.79	2.88	
		Amps	8.9	9.1	9.3	9.6	9.5	9.6	9.9	10.2	10.1	10.3	10.6	10.9	10.7	10.9	11.2	11.6	11.3	11.5	11.8	12.2	11.8	12.1	12.4	12.9	
		Hi PR	228	245	259	270	256	275	291	303	291	313	331	345	331	357	376	393	373	401	424	442	412	443	468	488	
	920	Lo PR	110	118	128	137	117	124	136	144	121	129	141	150	127	136	148	158	134	142	155	165	138	147	160	171	
		MBh	27.7	28.5	30.8	33.1	27.0	27.8	30.1	32.3	26.4	27.2	29.4	31.6	25.7	26.5	28.7	30.8	24.5	25.2	27.3	29.2	22.7	23.3	25.2	27.1	
		S/T	0.83	0.74	0.56	0.36	0.86	0.77	0.58	0.37	0.88	0.78	0.59	0.38	0.91	0.81	0.61	0.39	0.94	0.84	0.64	0.41	0.95	0.85	0.64	0.41	
	1180	ΔT	20	18	15	10	20	19	15	11	20	19	15	11	20	19	15	11	20	19	15	10	19	17	14	10	
		kW	2.04	2.08	2.14	2.21	2.19	2.23	2.30	2.38	2.32	2.37	2.44	2.52	2.44	2.49	2.57	2.65	2.54	2.59	2.67	2.76	2.62	2.68	2.77	2.86	
		Amps	8.8	9.0	9.2	9.5	9.4	9.6	9.8	10.1	10.1	10.3	10.5	10.9	10.6	10.8	11.1	11.5	11.2	11.4	11.8	12.1	11.8	12.0	12.3	12.8	
1050	Hi PR	226	243	256	267	253	273	288	300	288	310	327	341	328	353	373	389	369	397	419	437	408	439	463	483		
	Lo PR	109	116	127	135	116	123	134	143	120	128	139	149	126	134	147	156	132	141	154	164	137	145	159	169		
	MBh	25.5	26.3	28.5	30.5	24.9	25.7	27.8	29.8	24.4	25.1	27.1	29.1	23.8	24.5	26.5	28.4	22.6	23.2	25.2	27.0	20.9	21.5	23.3	25.0		
920	S/T	0.80	0.71	0.54	0.35	0.82	0.74	0.56	0.36	0.85	0.76	0.57	0.37	0.87	0.78	0.59	0.38	0.91	0.81	0.61	0.39	0.91	0.82	0.62	0.40		
	ΔT	20	19	15	11	21	19	16	11	21	19	16	11	21	19	16	11	20	19	15	11	19	18	14	10		
	kW	1.99	2.03	2.09	2.16	2.14	2.18	2.25	2.32	2.27	2.31	2.39	2.46	2.38	2.43	2.51	2.59	2.48	2.53	2.61	2.69	2.56	2.61	2.70	2.78		
1180	Amps	8.6	8.8	9.0	9.3	9.2	9.4	9.6	9.9	9.8	10.0	10.3	10.6	10.4	10.6	10.9	11.2	10.9	11.2	11.5	11.8	11.5	11.7	12.1	12.4		
	Hi PR	219	236	249	259	246	264	279	291	279	301	317	331	318	342	362	377	358	385	407	424	395	426	449	469		
	Lo PR	106	113	123	131	112	119	130	139	116	124	135	144	122	130	142	151	128	136	149	159	133	141	154	164		

IDB: Entering Indoor Dry Bulb Temperature  
 High and low pressures are measured at the liquid and suction access fittings.  
 Shaded area reflects ACCA (TVA) conditions  
 Amps: Unit amps (compressor+ evaporator + condenser fan motors).  
 kW = Total system power

EXPANDED COOLING DATA — GPC1330H41\*\* (CONT.)

IDB	AIRFLOW	OUTDOOR AMBIENT TEMPERATURE												ENTERING INDOOR WET BULB TEMPERATURE											
		65°F				75°F				85°F				95°F				105°F				115°F			
		59	63	67	71	59	63	67	71	59	63	67	71	59	63	67	71	59	63	67	71	59	63	67	71
1180	MBh	29.0	29.6	31.7	33.9	28.3	29.0	30.9	33.1	27.7	28.3	30.2	32.3	27.0	27.6	29.5	31.5	25.6	26.2	28.0	29.9	23.7	24.3	25.9	27.7
	S/T	0.95	0.89	0.72	0.54	1.00	0.92	0.75	0.56	1.00	0.95	0.77	0.58	1.00	1.00	0.79	0.59	1.00	1.00	0.82	0.62	1.00	1.00	0.83	0.62
	ΔT	21	21	18	14	22	21	18	14	21	21	18	14	21	21	18	15	20	20	18	14	19	19	17	13
	kW	2.07	2.11	2.18	2.24	2.22	2.27	2.34	2.41	2.36	2.41	2.48	2.56	2.48	2.53	2.61	2.69	2.58	2.63	2.72	2.81	2.66	2.72	2.81	2.90
	Amps	8.9	9.1	9.4	9.6	9.5	9.7	10.0	10.3	10.2	10.4	10.7	11.0	10.8	11.0	11.3	11.7	11.4	11.6	11.9	12.3	11.9	12.2	12.5	13.0
80	Hi PR	230	248	262	273	258	278	294	306	294	316	334	348	335	360	380	397	376	405	428	446	416	448	473	493
	Lo PR	112	119	130	138	118	125	137	146	123	130	142	152	129	137	149	159	135	143	157	167	140	148	162	173
	MBh	28.2	28.8	30.7	32.9	27.5	28.1	30.0	32.1	26.9	27.4	29.3	31.3	26.2	26.8	28.6	30.6	24.9	25.4	27.2	29.0	23.1	23.6	25.2	26.9
	S/T	0.91	0.85	0.69	0.52	0.94	0.88	0.72	0.54	0.96	0.90	0.73	0.55	0.99	0.93	0.76	0.57	1.00	0.97	0.79	0.59	1.00	0.97	0.79	0.59
	ΔT	22	21	19	15	23	22	19	15	23	22	19	15	23	22	19	15	22	22	19	15	20	20	17	14
1050	kW	2.05	2.10	2.16	2.23	2.21	2.25	2.32	2.39	2.34	2.39	2.46	2.54	2.46	2.51	2.59	2.67	2.56	2.61	2.70	2.78	2.64	2.70	2.79	2.88
	Amps	8.9	9.1	9.3	9.6	9.5	9.6	9.9	10.2	10.1	10.3	10.6	11.0	10.7	10.9	11.2	11.6	11.3	11.5	11.8	12.2	11.8	12.1	12.4	12.9
	Hi PR	228	245	259	270	256	275	291	303	291	313	331	345	331	357	377	393	373	401	424	442	412	443	468	488
	Lo PR	110	118	128	137	117	124	136	144	121	129	141	150	127	136	148	158	134	142	155	165	138	147	160	171
	MBh	26.0	26.6	28.4	30.3	25.4	25.9	27.7	29.6	24.8	25.3	27.1	28.9	24.2	24.7	26.4	28.2	23.0	23.5	25.1	26.8	21.3	21.7	23.2	24.8
920	S/T	0.87	0.82	0.67	0.50	0.90	0.85	0.69	0.52	0.93	0.87	0.71	0.53	0.96	0.90	0.73	0.55	0.99	0.93	0.76	0.57	1.00	0.94	0.76	0.57
	ΔT	23	22	19	15	23	22	19	15	23	22	19	15	23	22	19	15	23	22	19	15	21	20	18	14
	kW	2.01	2.05	2.11	2.17	2.15	2.20	2.27	2.34	2.28	2.33	2.40	2.48	2.40	2.45	2.53	2.61	2.50	2.55	2.63	2.72	2.58	2.63	2.72	2.81
	Amps	8.7	8.9	9.1	9.4	9.2	9.4	9.7	10.0	9.9	10.1	10.4	10.7	10.5	10.7	11.0	11.3	11.0	11.2	11.6	11.9	11.6	11.8	12.1	12.5
	Hi PR	221	238	251	262	248	267	282	294	282	304	321	334	321	346	365	381	362	389	411	429	399	430	454	473
85	Lo PR	107	114	124	133	113	120	132	140	118	125	137	146	124	132	144	153	130	138	150	160	134	143	156	166
	MBh	29.5	30.1	31.5	33.6	28.8	29.4	30.8	32.8	28.1	28.7	30.0	32.1	27.5	28.0	29.3	31.3	26.1	26.6	27.8	29.7	24.2	24.6	25.8	27.5
	S/T	1.00	0.96	0.87	0.70	1.00	1.00	0.90	0.73	1.00	1.00	0.92	0.75	1.00	1.00	0.95	0.77	1.00	1.00	0.99	0.80	1.00	1.00	0.99	0.81
	ΔT	23	23	21	18	22	23	22	19	22	22	22	19	21	22	22	19	20	21	21	19	19	19	19	17
	kW	2.09	2.13	2.19	2.26	2.24	2.29	2.36	2.43	2.38	2.43	2.50	2.58	2.50	2.55	2.63	2.72	2.60	2.65	2.74	2.83	2.69	2.75	2.83	2.93
1180	Amps	9.0	9.2	9.4	9.7	9.6	9.8	10.1	10.4	10.3	10.5	10.8	11.1	10.9	11.1	11.4	11.8	11.5	11.7	12.0	12.4	12.0	12.3	12.6	13.1
	Hi PR	233	250	264	276	261	281	297	309	297	319	337	352	338	364	384	401	380	409	432	451	420	452	477	498
	Lo PR	113	120	131	139	119	127	138	147	124	132	144	153	130	138	151	161	136	145	158	169	141	150	164	174
	MBh	28.7	29.2	30.6	32.6	28.0	28.5	29.9	31.9	27.3	27.9	29.2	31.1	26.7	27.2	28.5	30.4	25.3	25.8	27.0	28.8	23.5	23.9	25.0	26.7
	S/T	0.95	0.92	0.83	0.67	0.98	0.95	0.86	0.69	1.00	0.97	0.88	0.71	1.00	1.00	0.91	0.74	1.00	1.00	0.94	0.76	1.00	1.00	0.95	0.77
1050	ΔT	24	23	22	19	24	24	22	19	24	24	22	19	23	24	23	20	22	23	22	19	21	21	21	18
	kW	2.07	2.11	2.18	2.24	2.22	2.27	2.34	2.41	2.36	2.41	2.48	2.56	2.48	2.53	2.61	2.69	2.58	2.63	2.72	2.81	2.66	2.72	2.81	2.90
	Amps	8.9	9.1	9.4	9.6	9.5	9.7	10.0	10.3	10.2	10.4	10.7	11.0	10.8	11.0	11.3	11.7	11.4	11.6	11.9	12.3	11.9	12.2	12.5	13.0
	Hi PR	230	248	262	273	258	278	294	306	294	316	334	348	335	360	380	397	376	405	428	446	416	448	473	493
	Lo PR	112	119	130	138	118	125	137	146	123	130	142	152	129	137	149	159	135	143	157	167	140	148	162	173
920	MBh	26.4	27.0	28.2	30.1	25.8	26.3	27.6	29.4	25.2	25.7	26.9	28.7	24.6	25.1	26.3	28.0	23.4	23.8	25.0	26.6	21.7	22.1	23.1	24.7
	S/T	0.92	0.88	0.80	0.65	0.95	0.92	0.83	0.67	0.97	0.94	0.85	0.69	1.00	0.97	0.87	0.71	1.00	1.00	0.91	0.74	1.00	1.00	0.91	0.74
	ΔT	24	24	22	19	24	24	23	20	25	24	23	20	25	24	23	20	23	24	23	20	22	22	21	18
	kW	2.02	2.06	2.13	2.19	2.17	2.22	2.28	2.36	2.30	2.35	2.42	2.50	2.42	2.47	2.55	2.63	2.52	2.57	2.65	2.74	2.60	2.66	2.74	2.83
	Amps	8.8	8.9	9.2	9.4	9.3	9.5	9.8	10.1	10.0	10.2	10.5	10.8	10.5	10.8	11.1	11.4	11.1	11.3	11.7	12.0	11.7	11.9	12.2	12.6
85	Hi PR	223	240	254	265	251	270	285	297	285	307	324	338	325	349	369	385	365	393	415	433	403	434	458	478
	Lo PR	108	115	126	134	114	122	133	141	119	126	138	147	125	133	145	154	131	139	152	162	135	144	157	167

IDB: Entering Indoor Dry Bulb Temperature  
 High and low pressures are measured at the liquid and suction access fittings.  
 Shaded area reflects AHRI (TVA) conditions.  
 Amps: Unit amps (compressor+ evaporator + condenser fan motors).  
 kW = Total system power

EXPANDED COOLING DATA — GPC1336H41\*\*

IDB	AIRFLOW	OUTDOOR AMBIENT TEMPERATURE												ENTERING INDOOR WET BULB TEMPERATURE											
		65°F				75°F				85°F				95°F				105°F				115°F			
		59	63	67	71	59	63	67	71	59	63	67	71	59	63	67	71	59	63	67	71	59	63	67	71
70	MBh	34.5	35.8	39.2	-	33.7	34.9	38.3	-	32.9	34.1	37.3	-	32.1	33.3	36.4	-	30.5	31.6	34.6	-	28.2	29.3	32.1	-
	S/T	0.74	0.62	0.43	-	0.77	0.64	0.45	-	0.79	0.66	0.46	-	0.82	0.68	0.47	-	0.85	0.71	0.49	-	0.85	0.71	0.49	-
	ΔT	17	15	11	-	18	15	12	-	18	15	12	-	18	15	12	-	18	15	12	-	16	14	11	-
	kW	2.53	2.59	2.66	-	2.72	2.78	2.86	-	2.89	2.95	3.04	-	3.03	3.10	3.20	-	3.16	3.23	3.33	-	3.26	3.34	3.44	-
	Amps	10.9	11.1	11.4	-	11.6	11.9	12.2	-	12.5	12.7	13.1	-	13.2	13.5	13.9	-	13.9	14.2	14.7	-	14.7	15.0	15.4	-
HI PR	241	260	274	-	271	291	308	-	308	331	350	-	351	377	399	-	395	425	448	-	436	469	495	-	
LO PR	108	115	125	-	114	121	132	-	118	126	137	-	124	132	144	-	130	139	151	-	135	143	156	-	
70	MBh	33.5	34.7	38.0	-	32.7	33.9	37.1	-	31.9	33.1	36.3	-	31.2	32.3	35.4	-	29.6	30.7	33.6	-	27.4	28.4	31.1	-
	S/T	0.71	0.59	0.41	-	0.73	0.61	0.43	-	0.75	0.63	0.44	-	0.78	0.65	0.45	-	0.81	0.67	0.47	-	0.81	0.68	0.47	-
	ΔT	18	16	12	-	18	16	12	-	18	16	12	-	19	16	12	-	18	16	12	-	17	15	11	-
	kW	2.52	2.57	2.64	-	2.70	2.76	2.84	-	2.86	2.93	3.02	-	3.01	3.07	3.17	-	3.13	3.20	3.30	-	3.24	3.31	3.42	-
	Amps	10.8	11.0	11.3	-	11.6	11.8	12.1	-	12.4	12.6	13.0	-	13.1	13.4	13.8	-	13.8	14.1	14.5	-	14.5	14.9	15.3	-
HI PR	239	257	271	-	268	288	305	-	305	328	346	-	347	374	395	-	391	420	444	-	432	464	490	-	
LO PR	107	114	124	-	113	120	131	-	117	125	136	-	123	131	143	-	129	137	150	-	133	142	155	-	
70	MBh	30.9	32.0	35.1	-	30.2	31.3	34.3	-	29.5	30.5	33.5	-	28.8	29.8	32.7	-	27.3	28.3	31.0	-	25.3	26.2	28.7	-
	S/T	0.68	0.57	0.40	-	0.71	0.59	0.41	-	0.73	0.61	0.42	-	0.75	0.63	0.43	-	0.78	0.65	0.45	-	0.78	0.66	0.45	-
	ΔT	18	16	12	-	19	16	12	-	19	16	12	-	19	16	12	-	19	16	12	-	17	15	11	-
	kW	2.46	2.51	2.58	-	2.64	2.69	2.77	-	2.80	2.86	2.94	-	2.94	3.00	3.09	-	3.06	3.12	3.22	-	3.16	3.23	3.33	-
	Amps	10.6	10.8	11.1	-	11.3	11.5	11.8	-	12.1	12.3	12.7	-	12.8	13.1	13.4	-	13.5	13.8	14.2	-	14.2	14.5	14.9	-
HI PR	232	249	263	-	260	280	295	-	296	318	336	-	337	362	383	-	379	408	431	-	419	451	476	-	
LO PR	103	110	120	-	109	116	127	-	114	121	132	-	119	127	139	-	125	133	145	-	129	138	150	-	

75	MBh	35.1	36.1	39.1	42.0	34.3	35.3	38.2	41.0	33.4	34.4	37.3	40.0	32.6	33.6	36.4	39.0	31.0	31.9	34.5	37.1	28.7	29.6	32.0	34.3
	S/T	0.84	0.76	0.57	0.37	0.88	0.78	0.59	0.38	0.90	0.80	0.61	0.39	0.93	0.83	0.63	0.40	0.96	0.86	0.65	0.42	0.97	0.87	0.66	0.42
	ΔT	20	19	15	11	20	19	15	11	20	19	15	11	21	19	16	11	20	19	15	11	19	17	14	10
	kW	2.55	2.61	2.69	2.77	2.74	2.80	2.89	2.98	2.91	2.97	3.07	3.16	3.06	3.12	3.22	3.33	3.18	3.25	3.36	3.47	3.29	3.36	3.47	3.59
	Amps	11.0	11.2	11.5	11.9	11.7	12.0	12.3	12.7	12.6	12.8	13.2	13.6	13.3	13.6	14.0	14.4	14.1	14.4	14.8	15.3	14.8	15.1	15.5	16.1
HI PR	244	262	277	289	274	294	311	324	311	335	353	369	354	381	403	420	399	429	453	472	440	474	500	522	
LO PR	109	116	126	135	115	122	134	142	120	127	139	148	126	134	146	155	132	140	153	163	136	145	158	168	
75	MBh	34.1	35.1	38.0	40.7	33.3	34.2	37.1	39.8	32.5	33.4	36.2	38.8	31.7	32.6	35.3	37.9	30.1	31.0	33.5	36.0	27.9	28.7	31.1	33.3
	S/T	0.81	0.72	0.55	0.35	0.84	0.75	0.57	0.36	0.86	0.77	0.58	0.37	0.88	0.79	0.60	0.38	0.92	0.82	0.62	0.40	0.93	0.83	0.63	0.40
	ΔT	21	19	16	11	21	20	16	11	21	20	16	11	21	20	16	11	21	19	16	11	20	18	15	10
	kW	2.53	2.59	2.67	2.75	2.72	2.78	2.87	2.96	2.89	2.95	3.04	3.14	3.03	3.10	3.20	3.30	3.16	3.23	3.33	3.44	3.27	3.34	3.44	3.56
	Amps	10.9	11.1	11.4	11.8	11.6	11.9	12.2	12.6	12.5	12.7	13.1	13.5	13.2	13.5	13.9	14.3	13.9	14.2	14.7	15.1	14.7	15.0	15.4	15.9
HI PR	241	260	274	286	271	291	308	321	308	331	350	365	351	377	399	416	395	425	448	468	436	469	495	517	
LO PR	108	115	125	133	114	121	132	141	118	126	137	146	124	132	144	154	130	139	151	161	135	143	157	167	
75	MBh	31.4	32.4	35.0	37.6	30.7	31.6	34.2	36.7	30.0	30.9	33.4	35.8	29.2	30.1	32.6	35.0	27.8	28.6	31.0	33.2	25.7	26.5	28.7	30.8
	S/T	0.78	0.69	0.53	0.34	0.81	0.72	0.55	0.35	0.83	0.74	0.56	0.36	0.85	0.76	0.58	0.37	0.88	0.79	0.60	0.39	0.89	0.80	0.60	0.39
	ΔT	21	20	16	11	22	20	16	11	22	20	16	11	22	20	16	11	22	20	16	11	20	19	15	10
	kW	2.48	2.53	2.60	2.68	2.66	2.71	2.80	2.89	2.82	2.88	2.97	3.06	2.96	3.02	3.12	3.22	3.08	3.15	3.25	3.35	3.19	3.25	3.36	3.47
	Amps	10.7	10.9	11.2	11.5	11.4	11.6	11.9	12.3	12.2	12.4	12.8	13.2	12.9	13.2	13.5	14.0	13.6	13.9	14.3	14.8	14.3	14.6	15.0	15.5
HI PR	234	252	266	277	263	283	299	311	299	321	339	354	340	366	387	403	383	412	435	454	423	455	481	501	
LO PR	105	111	121	129	110	118	128	137	115	122	133	142	121	128	140	149	126	134	147	156	131	139	152	162	

IDB: Entering Indoor Dry Bulb Temperature  
 High and low pressures are measured at the liquid and suction access fittings.  
 Shaded area reflects ACCA (TVA) conditions  
 Amps: Unit amps (compressor+ evaporator + condenser fan motors).  
 kW = Total system power



EXPANDED COOLING DATA — GPC1336H41\*\* (CONT.)

IDB	AIRFLOW	OUTDOOR AMBIENT TEMPERATURE												ENTERING INDOOR WET BULB TEMPERATURE												
		65°F				75°F				85°F				95°F				105°F				115°F				
		59	63	67	71	59	63	67	71	59	63	67	71	59	63	67	71	59	63	67	71	59	63	67	71	
80	1350	MBh	35.7	36.5	39.0	41.7	34.9	35.6	38.1	40.7	34.0	34.8	37.2	39.7	33.2	33.9	36.3	38.8	31.5	32.2	34.4	36.8	29.2	29.9	31.9	34.1
		S/T	0.93	0.87	0.71	0.53	0.96	0.90	0.73	0.55	1.00	0.92	0.75	0.56	1.00	0.95	0.78	0.58	1.00	1.00	0.81	0.60	1.00	1.00	0.81	0.61
	ΔT	23	22	19	15	23	22	19	15	23	22	19	15	23	22	19	15	21	22	19	15	20	20	18	14	
	kW	2.57	2.63	2.71	2.79	2.77	2.82	2.91	3.00	2.93	3.00	3.09	3.19	3.08	3.15	3.25	3.36	3.21	3.28	3.39	3.50	3.32	3.39	3.50	3.62	
	Amps	11.1	11.3	11.6	12.0	11.8	12.1	12.4	12.8	12.7	12.9	13.3	13.7	13.4	13.7	14.1	14.6	14.2	14.5	14.9	15.4	14.9	15.2	15.7	16.2	
	HI PR	246	265	280	292	276	297	314	327	314	338	357	372	358	385	407	424	403	433	458	477	445	479	505	527	
	LO PR	110	117	128	136	116	124	135	144	121	128	140	149	127	135	147	157	133	141	154	164	137	146	160	170	
	MBh	34.7	35.4	37.8	40.5	33.9	34.6	37.0	39.5	33.0	33.8	36.1	38.6	32.2	32.9	35.2	37.6	30.6	31.3	33.4	35.7	28.4	29.0	31.0	33.1	
	S/T	0.88	0.83	0.67	0.50	0.92	0.86	0.70	0.52	0.94	0.88	0.72	0.54	0.97	0.91	0.74	0.55	1.00	0.94	0.77	0.57	1.00	0.95	0.77	0.58	
	ΔT	23	22	20	16	24	23	20	16	24	23	20	16	24	23	20	16	23	23	20	16	22	21	18	15	
kW	2.55	2.61	2.69	2.77	2.74	2.80	2.89	2.98	2.91	2.97	3.07	3.17	3.06	3.12	3.22	3.33	3.18	3.25	3.36	3.47	3.29	3.36	3.47	3.59		
Amps	11.0	11.2	11.5	11.9	11.7	12.0	12.3	12.7	12.6	12.8	13.2	13.6	13.3	13.6	14.0	14.4	14.1	14.4	14.8	15.3	14.8	15.1	15.5	16.1		
HI PR	244	262	277	289	274	294	311	324	311	335	354	369	354	381	403	420	399	429	453	472	440	474	500	522		
LO PR	109	116	126	135	115	122	134	142	120	127	139	148	126	134	146	155	132	140	153	163	136	145	158	168		
MBh	32.0	32.7	34.9	37.3	31.2	31.9	34.1	36.5	30.5	31.2	33.3	35.6	29.8	30.4	32.5	34.7	28.3	28.9	30.9	33.0	26.2	26.8	28.6	30.6		
S/T	0.85	0.80	0.65	0.49	0.88	0.83	0.67	0.50	0.91	0.85	0.69	0.52	0.93	0.88	0.71	0.53	0.97	0.91	0.74	0.55	0.98	0.92	0.75	0.56		
ΔT	24	23	20	16	24	23	20	16	24	23	20	16	24	23	20	16	24	23	20	16	22	21	19	15		
kW	2.50	2.55	2.62	2.70	2.68	2.73	2.82	2.91	2.84	2.90	2.99	3.09	2.98	3.05	3.15	3.25	3.11	3.17	3.28	3.38	3.21	3.28	3.39	3.50		
Amps	10.7	11.0	11.3	11.6	11.5	11.7	12.0	12.4	12.3	12.5	12.9	13.3	13.0	13.3	13.7	14.1	13.7	14.0	14.4	14.9	14.4	14.7	15.2	15.7		
HI PR	236	254	269	280	265	286	302	314	302	325	343	358	344	370	391	407	387	416	439	458	427	460	485	506		
LO PR	106	112	123	131	112	119	130	138	116	123	135	143	122	130	141	151	128	136	148	158	132	140	153	163		
85	1350	MBh	36.3	37.0	38.8	41.4	35.5	36.2	37.9	40.4	34.6	35.3	37.0	39.4	33.8	34.4	36.1	38.5	32.1	32.7	34.3	36.6	29.7	30.3	31.7	33.9
		S/T	0.97	0.94	0.85	0.69	1.00	0.97	0.88	0.71	1.00	1.00	0.90	0.73	1.00	1.00	0.93	0.75	1.00	1.00	0.96	0.78	1.00	1.00	0.97	0.79
	ΔT	24	24	22	19	24	24	23	20	24	24	23	20	23	23	23	20	22	22	22	19	20	21	21	18	
	kW	2.59	2.65	2.73	2.81	2.79	2.85	2.93	3.03	2.96	3.02	3.12	3.22	3.11	3.18	3.28	3.38	3.24	3.31	3.41	3.53	3.35	3.42	3.53	3.65	
	Amps	11.2	11.4	11.7	12.1	11.9	12.2	12.5	12.9	12.8	13.0	13.4	13.9	13.5	13.8	14.2	14.7	14.3	14.6	15.0	15.5	15.0	15.3	15.8	16.3	
	HI PR	249	268	283	295	279	300	317	331	317	342	361	376	361	389	411	428	407	438	462	482	449	483	511	533	
	LO PR	111	118	129	137	117	125	136	145	122	130	142	151	128	136	149	158	134	143	156	166	139	148	161	172	
	MBh	35.3	35.9	37.7	40.2	34.4	35.1	36.8	39.2	33.6	34.3	35.9	38.3	32.8	33.4	35.0	37.4	31.2	31.8	33.3	35.5	28.9	29.4	30.8	32.9	
	S/T	0.93	0.89	0.81	0.65	0.96	0.93	0.84	0.68	0.98	0.95	0.86	0.70	1.00	0.98	0.89	0.72	1.00	1.00	0.92	0.75	1.00	1.00	0.93	0.75	
	ΔT	25	25	23	20	25	25	24	20	25	25	24	20	25	25	24	21	24	24	23	20	22	23	22	19	
kW	2.57	2.63	2.71	2.79	2.77	2.82	2.91	3.00	2.93	3.00	3.09	3.19	3.08	3.15	3.25	3.36	3.21	3.28	3.39	3.50	3.32	3.39	3.50	3.62		
Amps	11.1	11.3	11.6	12.0	11.8	12.1	12.4	12.8	12.7	12.9	13.3	13.7	13.4	13.7	14.1	14.6	14.2	14.5	14.9	15.4	14.9	15.2	15.7	16.2		
HI PR	246	265	280	292	276	297	314	327	314	338	357	372	358	385	407	424	403	433	458	477	445	479	505	527		
LO PR	110	117	128	136	116	124	135	144	121	128	140	149	127	135	147	157	133	141	154	164	137	146	160	170		
MBh	32.6	33.2	34.8	37.1	31.8	32.4	33.9	36.2	31.0	31.6	33.1	35.4	30.3	30.9	32.3	34.5	28.8	29.3	30.7	32.8	26.6	27.2	28.4	30.3		
S/T	0.89	0.86	0.78	0.63	0.93	0.89	0.81	0.65	0.95	0.92	0.83	0.67	0.98	0.95	0.85	0.69	1.00	0.98	0.89	0.72	1.00	0.99	0.89	0.72		
ΔT	25	25	24	20	26	25	24	21	26	25	24	21	26	26	24	21	25	25	24	21	23	24	22	19		
kW	2.51	2.57	2.64	2.73	2.70	2.76	2.84	2.93	2.86	2.92	3.02	3.11	3.01	3.07	3.17	3.27	3.13	3.20	3.30	3.41	3.24	3.31	3.42	3.53		
Amps	10.8	11.0	11.3	11.7	11.5	11.8	12.1	12.5	12.4	12.6	13.0	13.4	13.1	13.4	13.8	14.2	13.8	14.1	14.5	15.0	14.5	14.8	15.3	15.8		
HI PR	239	257	271	283	268	288	305	318	305	328	346	361	347	374	394	411	391	420	444	463	431	464	490	511		
LO PR	107	113	124	132	113	120	131	139	117	125	136	145	123	131	143	152	129	137	150	159	133	142	155	165		

IDB: Entering Indoor Dry Bulb Temperature  
 High and low pressures are measured at the liquid and suction access fittings.  
 Shaded area reflects AHRI (TVA) conditions.  
 Amps: Unit amps (compressor+ evaporator + condenser fan motors).  
 kW = Total system power

# EXPANDED COOLING DATA — GPC1342H41\*\*

IDB	AIRFLOW	OUTDOOR AMBIENT TEMPERATURE												ENTERING INDOOR WET BULB TEMPERATURE																			
		65°F				75°F				85°F				95°F				105°F				115°F											
		59	63	67	71	59	63	67	71	59	63	67	71	59	63	67	71	59	63	67	71	59	63	67	71								
70	1580	MBh	40.2	41.6	45.6	-	38.3	39.7	43.5	-	37.4	38.7	42.4	-	35.5	36.8	40.3	-	32.9	34.1	37.3	-	35.5	36.8	40.3	-	32.9	34.1	37.3	-			
		S/T	0.77	0.65	0.45	-	0.82	0.69	0.48	-	0.85	0.71	0.49	-	0.88	0.74	0.51	-	0.89	0.74	0.51	-	0.88	0.74	0.51	-	0.89	0.74	0.51	-			
		ΔT	18	16	12	-	18	16	12	-	18	16	12	-	18	16	12	-	17	15	11	-	18	16	12	-	17	15	11	-			
	1410	kW	2.77	2.83	2.91	-	2.97	3.03	3.12	-	2.97	3.03	3.12	-	3.42	3.49	3.60	-	3.53	3.60	3.72	-	3.42	3.49	3.60	-	3.53	3.60	3.72	-			
		Amps	12.3	12.5	12.9	-	13.1	13.4	13.7	-	14.0	14.3	14.7	-	15.6	16.0	16.4	-	16.4	16.8	17.3	-	15.6	16.0	16.4	-	16.4	16.8	17.3	-			
		HI PR	225	242	256	-	252	272	287	-	287	309	326	-	368	396	418	-	406	437	462	-	368	396	418	-	406	437	462	-			
	1240	LO PR	110	117	128	-	117	124	135	-	121	129	141	-	133	142	155	-	138	147	160	-	133	142	155	-	138	147	160	-			
		MBh	39.0	40.4	44.3	-	38.1	39.5	43.3	-	37.2	38.5	42.2	-	34.5	35.7	39.1	-	31.9	33.1	36.3	-	34.5	35.7	39.1	-	31.9	33.1	36.3	-			
		S/T	0.74	0.62	0.43	-	0.77	0.64	0.44	-	0.78	0.66	0.45	-	0.84	0.70	0.49	-	0.85	0.71	0.49	-	0.84	0.70	0.49	-	0.85	0.71	0.49	-			
	1240	ΔT	19	16	12	-	19	16	12	-	19	16	12	-	19	16	12	-	18	15	12	-	19	16	12	-	18	15	12	-			
		kW	2.69	2.74	2.82	-	2.88	2.94	3.02	-	3.04	3.11	3.20	-	3.31	3.38	3.49	-	3.42	3.49	3.60	-	3.31	3.38	3.49	-	3.42	3.49	3.60	-			
		Amps	12.0	12.2	12.5	-	12.7	13.0	13.3	-	13.6	13.9	14.3	-	15.2	15.5	15.9	-	15.9	16.2	16.7	-	15.2	15.5	15.9	-	15.9	16.2	16.7	-			
1240	HI PR	216	233	246	-	242	261	275	-	276	297	313	-	353	380	401	-	390	420	444	-	353	380	401	-	390	420	444	-				
	LO PR	106	113	123	-	112	119	130	-	116	124	135	-	128	136	149	-	132	141	154	-	128	136	149	-	132	141	154	-				
	MBh	36.0	37.3	40.9	-	35.2	36.4	39.9	-	34.3	35.6	39.0	-	31.8	33.0	36.1	-	29.5	30.5	33.5	-	31.8	33.0	36.1	-	29.5	30.5	33.5	-				
1580	S/T	0.71	0.59	0.41	-	0.74	0.62	0.43	-	0.76	0.63	0.44	-	0.81	0.68	0.47	-	0.82	0.68	0.47	-	0.81	0.68	0.47	-	0.82	0.68	0.47	-				
	ΔT	19	16	12	-	19	17	13	-	19	17	13	-	19	17	13	-	18	15	12	-	19	17	13	-	18	15	12	-				
	kW	2.79	2.85	2.93	3.02	2.99	3.05	3.14	3.23	3.16	3.23	3.32	3.43	3.32	3.38	3.49	3.60	3.45	3.52	3.63	3.74	3.56	3.63	3.75	3.87	3.45	3.52	3.63	3.74	3.56	3.63	3.75	3.87
1410	Amps	12.4	12.6	13.0	13.4	13.2	13.5	13.8	14.3	14.1	14.4	14.8	15.3	15.0	15.3	15.7	16.2	15.8	16.1	16.5	17.1	16.6	16.9	17.4	18.0	15.8	16.1	16.5	17.1	16.6	16.9	17.4	18.0
	HI PR	227	245	258	269	255	274	290	302	290	312	330	344	330	355	375	392	372	400	422	440	411	442	467	487	372	400	422	440	411	442	467	487
	LO PR	111	119	129	138	118	125	137	146	122	130	142	151	128	137	149	159	135	143	156	167	139	148	162	172	135	143	156	167	139	148	162	172
1240	MBh	39.7	40.8	44.2	47.4	38.7	39.9	43.2	46.3	37.8	38.9	42.2	45.2	36.9	38.0	41.1	44.1	35.1	36.1	39.1	41.9	32.5	33.4	36.2	38.8	35.1	36.1	39.1	41.9	32.5	33.4	36.2	38.8
	S/T	0.84	0.75	0.57	0.37	0.87	0.78	0.59	0.38	0.89	0.80	0.60	0.39	0.92	0.82	0.62	0.40	0.96	0.85	0.65	0.42	0.96	0.86	0.65	0.42	0.96	0.85	0.65	0.42	0.96	0.86	0.65	0.42
	ΔT	22	20	16	11	22	20	17	11	22	20	17	11	22	20	17	12	22	20	16	11	20	19	15	11	22	20	16	11	20	19	15	11
1580	kW	2.77	2.83	2.91	2.99	2.97	3.03	3.12	3.21	3.14	3.20	3.30	3.40	3.29	3.36	3.46	3.57	3.42	3.49	3.60	3.71	3.53	3.60	3.72	3.84	3.42	3.49	3.60	3.71	3.53	3.60	3.72	3.84
	Amps	12.3	12.6	12.9	13.3	13.1	13.4	13.7	14.2	14.0	14.3	14.7	15.2	14.8	15.1	15.6	16.1	15.6	16.0	16.4	17.0	16.4	16.8	17.3	17.8	15.6	16.0	16.4	17.0	16.4	16.8	17.3	17.8
	HI PR	225	242	256	267	252	272	287	299	287	309	326	340	327	352	372	388	368	396	418	436	407	437	462	482	368	396	418	436	407	437	462	482
1410	LO PR	110	117	128	136	117	124	135	144	121	129	141	150	127	135	148	157	133	142	155	165	138	147	160	171	133	142	155	165	138	147	160	171
	MBh	36.6	37.7	40.8	43.8	35.8	36.8	39.9	42.8	34.9	35.9	38.9	41.8	34.1	35.1	38.0	40.7	32.4	33.3	36.1	38.7	30.0	30.9	33.4	35.8	32.4	33.3	36.1	38.7	30.0	30.9	33.4	35.8
	S/T	0.81	0.72	0.55	0.35	0.84	0.75	0.57	0.37	0.86	0.77	0.58	0.37	0.89	0.79	0.60	0.39	0.92	0.82	0.62	0.40	0.93	0.83	0.63	0.40	0.92	0.82	0.62	0.40	0.93	0.83	0.63	0.40
1240	ΔT	22	20	17	11	22	20	17	12	22	20	17	12	22	21	17	12	22	20	17	12	21	19	16	11	22	20	17	12	21	19	16	11
	kW	2.71	2.76	2.84	2.93	2.90	2.96	3.04	3.14	3.07	3.13	3.22	3.32	3.22	3.28	3.38	3.48	3.34	3.41	3.51	3.62	3.45	3.52	3.63	3.74	3.34	3.41	3.51	3.62	3.45	3.52	3.63	3.74
	Amps	12.0	12.3	12.6	13.0	12.8	13.1	13.4	13.8	13.7	14.0	14.4	14.8	14.5	14.8	15.2	15.7	15.3	15.6	16.0	16.5	16.0	16.4	16.8	17.4	15.3	15.6	16.0	16.5	16.0	16.4	16.8	17.4
1240	HI PR	218	235	248	259	245	264	278	290	279	300	317	330	317	341	360	376	357	384	406	423	394	424	448	467	357	384	406	423	394	424	448	467
	LO PR	107	114	124	132	113	120	131	140	117	125	136	145	123	131	143	153	129	138	150	160	134	142	155	165	129	138	150	160	134	142	155	165
	MBh	36.0	37.3	40.9	-	35.2	36.4	39.9	-	34.3	35.6	39.0	-	31.8	33.0	36.1	-	29.5	30.5	33.5	-	31.8	33.0	36.1	-	29.5	30.5	33.5	-				

IDB: Entering Indoor Dry Bulb Temperature  
 High and low pressures are measured at the liquid and suction access fittings.  
 Shaded area reflects ACCA (TVA) conditions  
 Amps: Unit amps (compressor+ evaporator + condenser fan motors).  
 kW = Total system power

EXPANDED COOLING DATA — GPC1342H41\*\* (CONT.)

IDB	AIRFLOW	OUTDOOR AMBIENT TEMPERATURE												ENTERING INDOOR WET BULB TEMPERATURE												
		65°F				75°F				85°F				95°F				105°F				115°F				
		59	63	67	71	59	63	67	71	59	63	67	71	59	63	67	71	59	63	67	71	59	63	67	71	
80	1580	MBh	41.6	42.5	45.4	48.5	40.6	41.5	44.3	47.4	39.6	40.5	43.3	46.3	38.7	39.5	42.2	45.1	36.7	37.6	40.1	42.9	34.0	34.8	37.2	39.7
		S/T	0.97	0.91	0.74	0.55	1.00	0.94	0.76	0.57	1.00	0.96	0.78	0.59	1.00	1.00	0.81	0.60	1.00	1.00	0.84	0.63	1.00	1.00	0.85	0.63
	ΔT	23	22	19	16	24	23	20	16	23	23	23	20	16	23	23	20	16	21	22	20	16	20	20	18	15
	kW	2.81	2.87	2.95	3.04	3.01	3.07	3.16	3.26	3.19	3.25	3.35	3.45	3.34	3.41	3.52	3.63	3.77	3.47	3.55	3.66	3.77	3.59	3.66	3.78	3.90
	Amps	12.5	12.7	13.1	13.5	13.3	13.6	13.9	14.4	14.3	14.5	14.9	15.4	15.1	15.4	15.8	16.3	17.2	15.9	16.2	16.7	17.2	16.7	17.0	17.5	18.1
	HI PR	230	247	261	272	258	277	293	305	293	315	333	347	334	359	379	395	445	375	404	427	445	415	446	471	492
	LO PR	113	120	131	139	119	126	138	147	124	131	144	153	130	138	151	161	168	136	145	158	168	141	150	163	174
	MBh	40.4	41.3	44.1	47.1	39.4	40.3	43.1	46.0	38.5	39.3	42.0	44.9	37.6	38.4	41.0	43.8	41.0	35.7	36.5	39.0	41.6	33.0	33.8	36.1	38.6
	S/T	0.92	0.86	0.70	0.53	0.95	0.89	0.73	0.54	0.98	0.92	0.75	0.56	1.00	0.95	0.77	0.58	1.00	1.00	0.98	0.80	0.60	1.00	0.99	0.81	0.60
	ΔT	24	23	20	16	25	24	20	16	25	24	20	16	24	24	21	16	21	23	23	20	16	22	22	19	15
kW	2.79	2.85	2.93	3.02	2.99	3.05	3.14	3.23	3.16	3.23	3.32	3.43	3.32	3.38	3.49	3.60	3.60	3.45	3.52	3.63	3.74	3.56	3.63	3.75	3.87	
Amps	12.4	12.6	13.0	13.4	13.2	13.5	13.8	14.3	14.1	14.4	14.8	15.3	15.0	15.3	15.7	16.2	17.1	15.8	16.1	16.5	17.1	16.6	16.9	17.4	18.0	
HI PR	227	245	258	269	255	274	290	302	290	312	330	344	330	356	375	392	440	372	400	422	440	411	442	467	487	
LO PR	111	119	129	138	118	125	137	146	122	130	142	151	129	137	149	159	167	135	143	156	167	139	148	162	172	
MBh	37.3	38.1	40.7	43.5	36.4	37.2	39.7	42.5	35.5	36.3	38.8	41.5	34.7	35.4	37.8	40.5	38.4	32.9	33.6	36.0	38.4	30.5	31.2	33.3	35.6	
S/T	0.89	0.83	0.68	0.51	0.92	0.86	0.70	0.52	0.94	0.88	0.72	0.54	0.97	0.91	0.74	0.56	1.01	1.01	0.95	0.77	0.58	1.02	0.96	0.78	0.58	
ΔT	25	23	20	16	25	24	21	17	25	24	21	17	25	24	21	17	25	24	24	21	16	22	22	19	15	
kW	2.73	2.78	2.86	2.95	2.92	2.98	3.07	3.16	3.09	3.15	3.25	3.35	3.24	3.31	3.41	3.51	3.51	3.37	3.44	3.54	3.65	3.48	3.55	3.66	3.77	
Amps	12.1	12.4	12.7	13.1	12.9	13.2	13.5	13.9	13.8	14.1	14.5	14.9	14.6	14.9	15.3	15.8	16.2	15.4	15.7	16.2	16.7	16.2	16.5	17.0	17.5	
HI PR	220	237	251	261	247	266	281	293	281	303	320	333	320	345	364	380	427	360	388	410	427	398	429	453	472	
LO PR	108	115	126	134	114	121	133	141	119	126	138	147	125	133	145	154	162	131	139	152	162	135	144	157	167	
85	1580	MBh	42.3	43.1	45.2	48.2	41.3	42.1	44.1	47.1	40.3	41.1	43.1	45.9	39.4	40.1	42.0	44.8	37.4	38.1	39.9	42.6	34.6	35.3	37.0	39.4
		S/T	1.00	0.98	0.88	0.71	1.00	0.96	0.87	0.71	1.00	0.99	0.89	0.72	1.00	1.00	0.92	0.75	1.00	1.00	0.96	0.78	1.00	1.00	0.96	0.78
	ΔT	25	24	23	20	24	25	23	20	23	24	23	20	23	23	24	20	22	22	22	23	20	20	21	22	19
	kW	2.83	2.89	2.97	3.06	3.03	3.09	3.19	3.28	3.21	3.28	3.38	3.48	3.37	3.44	3.54	3.65	3.50	3.57	3.68	3.80	3.62	3.69	3.81	3.93	
	Amps	12.6	12.8	13.2	13.6	13.4	13.7	14.0	14.5	14.4	14.7	15.1	15.5	15.2	15.5	15.9	16.4	16.0	16.3	16.8	17.4	16.8	17.2	17.7	18.3	
	HI PR	232	250	263	275	260	280	296	308	296	318	336	351	337	363	383	399	449	379	408	431	449	419	451	476	496
	LO PR	114	121	132	141	120	128	139	149	125	133	145	154	131	139	152	162	162	137	146	160	170	142	151	165	176
	MBh	41.1	41.9	43.9	46.8	40.1	40.9	42.8	45.7	39.2	39.9	41.8	44.6	38.2	39.0	40.8	43.5	41.3	36.3	37.0	38.8	41.3	33.6	34.3	35.9	38.3
	S/T	0.96	0.93	0.84	0.68	1.00	0.96	0.87	0.71	1.00	0.99	0.89	0.72	1.00	1.00	0.92	0.75	1.00	1.00	0.96	0.78	1.00	1.00	0.96	0.78	
	ΔT	26	25	24	21	26	26	24	21	26	26	24	21	26	25	25	21	24	24	24	24	21	22	22	23	20
kW	2.81	2.87	2.95	3.04	3.01	3.07	3.16	3.26	3.19	3.25	3.35	3.45	3.34	3.41	3.52	3.63	3.47	3.55	3.66	3.77	3.59	3.66	3.78	3.90		
Amps	12.5	12.7	13.1	13.5	13.3	13.6	13.9	14.4	14.3	14.5	14.9	15.4	15.1	15.4	15.8	16.3	17.2	15.9	16.2	16.7	17.2	16.7	17.0	17.5	18.1	
HI PR	230	247	261	272	258	277	293	305	293	315	333	347	334	359	379	395	445	375	404	427	445	415	446	471	492	
LO PR	113	120	131	139	119	126	138	147	124	131	144	153	130	138	151	161	168	136	145	158	168	141	150	163	174	
MBh	37.9	38.6	40.5	43.2	37.0	37.7	39.5	42.2	36.2	36.9	38.6	41.2	35.3	36.0	37.7	40.2	38.2	33.5	34.2	35.8	38.2	31.0	31.6	33.1	35.4	
S/T	0.93	0.90	0.81	0.66	0.96	0.93	0.84	0.68	0.99	0.95	0.86	0.70	1.00	0.98	0.89	0.72	1.00	1.00	0.92	0.75	1.00	1.00	0.93	0.75		
ΔT	26	26	24	21	26	26	25	21	27	26	25	21	26	26	25	21	25	25	25	24	21	23	23	23	20	
kW	2.75	2.80	2.89	2.97	2.94	3.00	3.09	3.18	3.11	3.18	3.27	3.37	3.26	3.33	3.43	3.54	3.39	3.46	3.57	3.68	3.50	3.58	3.69	3.80		
Amps	12.2	12.5	12.8	13.2	13.0	13.3	13.6	14.0	13.9	14.2	14.6	15.1	14.7	15.0	15.4	15.9	15.5	15.8	16.3	16.8	16.3	16.6	17.1	17.7		
HI PR	223	240	253	264	250	269	284	296	284	306	323	337	324	348	368	384	432	364	392	414	432	402	433	457	477	
LO PR	109	116	127	135	115	123	134	143	120	128	139	148	126	134	146	156	163	132	140	153	163	136	145	159	169	

IDB: Entering Indoor Dry Bulb Temperature  
 High and low pressures are measured at the liquid and suction access fittings.  
 Shaded area reflects AHRI (TVA) conditions.  
 Amps: Unit amps (compressor+ evaporator + condenser fan motors).  
 kW = Total system power

EXPANDED COOLING DATA — GPC1349H41\*\*

IDB	AIRFLOW	OUTDOOR AMBIENT TEMPERATURE												115°F																	
		65°F						75°F						85°F						95°F						105°F					
		59	63	67	71	75	79	59	63	67	71	75	79	59	63	67	71	75	79	59	63	67	71	75	79	59	63	67	71	75	79
70	1800	MBh	44.6	46.2	50.6	-	43.5	45.1	49.5	-	42.5	44.1	48.3	-	41.5	43.0	47.1	-	39.4	40.8	44.7	-	36.5	37.8	41.4	-					
		S/T	0.77	0.64	0.44	-	0.79	0.66	0.46	-	0.81	0.68	0.47	-	0.84	0.70	0.49	-	0.87	0.73	0.50	-	0.88	0.73	0.51	-					
		DT	17	15	11	-	18	15	12	-	18	15	12	-	18	15	12	-	18	15	12	-	16	14	11	-					
		kW	3.20	3.27	3.36	-	3.43	3.49	3.60	-	3.62	3.70	3.81	-	3.80	3.87	3.99	-	3.95	4.03	4.15	-	4.07	4.16	4.29	-					
		Amps	13.9	14.2	14.5	-	14.8	15.1	15.5	-	15.9	16.2	16.6	-	16.8	17.1	17.6	-	17.7	18.0	18.5	-	18.5	18.9	19.5	-					
		Hi PR	234	252	266	-	262	282	298	-	298	321	339	-	340	366	386	-	382	411	434	-	422	454	480	-					
	Lo PR	112	119	130	-	118	125	137	-	123	130	142	-	129	137	149	-	135	143	157	-	139	148	162	-						
	MBh	43.3	44.9	49.2	-	42.3	43.8	48.0	-	41.3	42.8	46.9	-	40.3	41.7	45.7	-	38.3	39.6	43.4	-	35.4	36.7	40.2	-						
	S/T	0.73	0.61	0.42	-	0.76	0.63	0.44	-	0.78	0.65	0.45	-	0.80	0.67	0.46	-	0.83	0.69	0.48	-	0.84	0.70	0.49	-						
	DT	18	16	12	-	18	16	12	-	18	16	12	-	19	16	12	-	18	16	12	-	17	15	11	-						
	kW	3.18	3.24	3.34	-	3.40	3.47	3.57	-	3.60	3.67	3.78	-	3.77	3.85	3.96	-	3.92	4.00	4.12	-	4.04	4.12	4.25	-						
	Amps	13.8	14.1	14.4	-	14.7	15.0	15.4	-	15.7	16.0	16.5	-	16.6	17.0	17.4	-	17.5	17.9	18.4	-	18.4	18.8	19.3	-						
Hi PR	231	249	263	-	260	279	295	-	295	318	336	-	336	362	382	-	378	407	430	-	418	450	475	-							
Lo PR	110	118	128	-	117	124	136	-	121	129	141	-	127	136	148	-	134	142	155	-	138	147	160	-							
MBh	40.0	41.4	45.4	-	39.0	40.4	44.3	-	38.1	39.5	43.3	-	37.2	38.5	42.2	-	35.3	36.6	40.1	-	32.7	33.9	37.1	-							
S/T	0.70	0.59	0.41	-	0.73	0.61	0.42	-	0.75	0.63	0.43	-	0.77	0.65	0.45	-	0.80	0.67	0.46	-	0.81	0.68	0.47	-							
DT	18	16	12	-	19	16	12	-	19	16	12	-	19	16	12	-	19	16	12	-	17	15	11	-							
kW	3.11	3.17	3.26	-	3.33	3.39	3.49	-	3.52	3.59	3.69	-	3.68	3.76	3.87	-	3.82	3.90	4.02	-	3.95	4.03	4.15	-							
Amps	13.5	13.8	14.1	-	14.4	14.7	15.0	-	15.4	15.7	16.1	-	16.2	16.6	17.0	-	17.1	17.5	18.0	-	18.0	18.3	18.9	-							
Hi PR	224	242	255	-	252	271	286	-	286	308	326	-	326	351	371	-	367	395	417	-	406	436	461	-							
Lo PR	107	114	124	-	113	120	131	-	118	125	137	-	124	131	144	-	130	138	150	-	134	143	156	-							
75	1800	MBh	45.3	46.7	50.5	54.2	44.3	45.6	49.4	53.0	43.2	44.5	48.2	51.7	42.2	43.4	47.0	50.4	40.1	41.3	44.7	47.9	37.1	38.2	41.4	44.4					
		S/T	0.87	0.78	0.59	0.38	0.90	0.81	0.61	0.39	0.93	0.83	0.63	0.40	0.96	0.85	0.65	0.42	0.99	0.89	0.67	0.43	1.00	0.89	0.68	0.44					
		DT	20	19	15	11	20	19	15	11	20	19	15	11	21	19	16	11	21	20	19	15	11	19	17	14	10				
		kW	3.23	3.29	3.38	3.48	3.45	3.52	3.62	3.73	3.65	3.73	3.84	3.95	3.83	3.91	4.02	4.15	3.98	4.06	4.18	4.31	4.10	4.19	4.32	4.46					
		Amps	14.0	14.3	14.7	15.1	14.9	15.2	15.6	16.1	16.0	16.3	16.7	17.3	16.9	17.2	17.7	18.3	17.8	18.2	18.7	19.3	18.7	19.1	19.6	20.3					
		Hi PR	236	254	268	280	265	285	301	314	301	324	342	357	343	369	390	407	386	415	439	458	427	459	485	506					
	Lo PR	113	120	131	139	119	127	138	147	124	132	144	153	130	138	151	161	136	145	158	169	141	150	164	174						
	MBh	44.0	45.3	49.1	52.7	43.0	44.3	47.9	51.4	42.0	43.2	46.8	50.2	41.0	42.2	45.6	49.0	38.9	40.1	43.4	46.5	36.0	37.1	40.2	43.1						
	S/T	0.83	0.74	0.56	0.36	0.86	0.77	0.58	0.37	0.88	0.79	0.60	0.38	0.91	0.82	0.62	0.40	0.95	0.85	0.64	0.41	0.95	0.85	0.65	0.42						
	DT	21	19	16	11	21	20	16	11	21	20	16	11	21	20	16	11	21	20	19	16	11	20	18	15	10					
	kW	3.21	3.27	3.36	3.46	3.43	3.50	3.60	3.71	3.62	3.70	3.81	3.92	3.80	3.88	3.99	4.12	3.95	4.03	4.15	4.28	4.07	4.16	4.29	4.42						
	Amps	13.9	14.2	14.5	15.0	14.8	15.1	15.5	16.0	15.9	16.2	16.6	17.1	16.8	17.1	17.6	18.1	17.7	18.0	18.5	19.1	18.5	18.9	19.5	20.1						
Hi PR	234	252	266	277	262	282	298	311	298	321	339	354	340	366	386	403	382	411	434	453	422	454	480	501							
Lo PR	112	119	130	138	118	125	137	146	123	130	142	152	129	137	149	159	135	144	157	167	140	148	162	173							
MBh	40.6	41.8	45.3	48.6	39.7	40.9	44.2	47.5	38.7	39.9	43.2	46.3	37.8	38.9	42.1	45.2	35.9	37.0	40.0	42.9	33.3	34.2	37.1	39.8							
S/T	0.80	0.72	0.54	0.35	0.83	0.74	0.56	0.36	0.85	0.76	0.58	0.37	0.88	0.79	0.59	0.38	0.91	0.82	0.62	0.40	0.92	0.82	0.62	0.40							
DT	21	20	16	11	22	20	16	11	22	20	16	11	22	20	16	11	22	20	16	11	20	19	15	10							
kW	3.14	3.20	3.29	3.38	3.35	3.42	3.52	3.62	3.54	3.61	3.72	3.83	3.71	3.79	3.90	4.02	3.85	3.93	4.05	4.18	3.98	4.06	4.18	4.32							
Amps	13.6	13.9	14.2	14.7	14.5	14.8	15.2	15.6	15.5	15.8	16.2	16.7	16.4	16.7	17.2	17.7	17.2	17.6	18.1	18.7	18.1	18.5	19.0	19.6							
Hi PR	227	244	258	269	254	274	289	302	289	311	329	343	330	355	375	391	371	399	421	439	410	441	466	486							
Lo PR	108	115	126	134	114	122	133	141	119	126	138	147	125	133	145	154	131	139	152	162	135	144	157	167							

IDB: Entering Indoor Dry Bulb Temperature  
 High and low pressures are measured at the liquid and suction access fittings.  
 Shaded area reflects ACCA (TVA) conditions  
 Amps: Unit amps (compressor+ evaporator + condenser fan motors).  
 kW = Total system power

EXPANDED COOLING DATA — GPC1349H41\*\* (CONT.)

IDB	AIRFLOW	OUTDOOR AMBIENT TEMPERATURE												ENTERING INDOOR WET BULB TEMPERATURE													
		65°F				75°F				85°F				95°F				105°F				115°F					
		59	63	67	71	59	63	67	71	59	63	67	71	59	63	67	71	59	63	67	71	59	63	67	71		
80	1800	MBh	46.1	47.2	50.4	53.9	45.1	46.1	49.2	52.6	44.0	45.0	48.0	51.4	42.9	43.9	46.9	50.1	40.8	41.7	44.5	47.6	37.8	38.6	41.2	44.1	
		S/T	0.96	0.90	0.73	0.55	1.00	0.93	0.76	0.56	1.00	0.95	0.78	0.58	1.00	1.00	0.80	0.60	1.00	1.00	0.83	0.62	1.00	1.00	0.84	0.63	
	1600	DT	23	22	19	15	23	22	19	15	22	22	19	15	22	22	19	15	21	21	19	15	19	20	18	14	
		kW	3.25	3.31	3.41	3.51	3.48	3.55	3.65	3.76	3.68	3.75	3.87	3.98	3.86	3.94	4.06	4.18	4.01	4.09	4.22	4.35	4.14	4.22	4.35	4.49	
	1400	Amps	14.1	14.4	14.8	15.2	15.0	15.3	15.7	16.2	16.1	16.4	16.9	17.4	17.0	17.4	17.9	18.4	17.9	18.3	18.8	19.4	18.8	19.2	19.8	20.4	
		Hi PR	238	257	271	283	268	288	304	317	304	328	346	361	347	373	394	411	390	420	443	462	431	464	490	511	
	85	1800	Lo PR	114	121	132	141	120	128	140	149	125	133	145	155	131	140	153	162	138	146	160	170	142	151	165	176
			MBh	44.8	45.8	48.9	52.3	43.8	44.7	47.8	51.1	42.7	43.7	46.6	49.9	41.7	42.6	45.5	48.6	39.6	40.5	43.2	46.2	36.7	37.5	40.0	42.8
	80	1600	S/T	0.91	0.85	0.70	0.52	0.94	0.89	0.72	0.54	0.97	0.91	0.74	0.55	1.00	0.94	0.76	0.57	1.00	0.97	0.79	0.59	1.00	0.98	0.80	0.60
			DT	23	22	20	16	24	23	20	16	24	23	20	16	24	23	20	16	23	23	20	16	21	21	18	15
80	1400	kW	3.23	3.29	3.38	3.48	3.45	3.52	3.62	3.73	3.65	3.73	3.84	3.95	3.83	3.91	4.02	4.15	3.98	4.06	4.18	4.31	4.11	4.19	4.32	4.46	
		Amps	14.0	14.3	14.7	15.1	14.9	15.2	15.6	16.1	16.0	16.3	16.7	17.3	16.9	17.2	17.7	18.3	17.8	18.2	18.7	19.3	18.7	19.1	19.6	20.3	
85	1600	Hi PR	236	254	268	280	265	285	301	314	301	324	342	357	343	369	390	407	386	415	439	458	427	459	485	506	
		Lo PR	113	120	131	139	119	127	138	147	124	132	144	153	130	138	151	161	136	145	158	169	141	150	164	174	
80	1400	MBh	41.4	42.3	45.1	48.3	40.4	41.3	44.1	47.1	39.4	40.3	43.0	46.0	38.5	39.3	42.0	44.9	36.5	37.3	39.9	42.6	33.9	34.6	37.0	39.5	
		S/T	0.88	0.82	0.67	0.50	0.91	0.85	0.70	0.52	0.93	0.88	0.71	0.53	0.96	0.90	0.74	0.55	1.00	0.94	0.76	0.57	1.01	0.95	0.77	0.58	
85	1800	DT	24	23	20	16	24	23	20	16	24	23	20	16	24	23	20	16	24	23	20	16	22	21	19	15	
		kW	3.16	3.22	3.31	3.41	3.38	3.44	3.54	3.65	3.57	3.64	3.75	3.86	3.74	3.82	3.93	4.05	3.88	3.96	4.08	4.21	4.01	4.09	4.22	4.35	
80	1600	Amps	13.7	14.0	14.3	14.8	14.6	14.9	15.3	15.7	15.6	15.9	16.4	16.9	16.5	16.8	17.3	17.9	17.4	17.7	18.2	18.8	18.2	18.6	19.2	19.8	
		Hi PR	229	246	260	271	257	277	292	305	292	315	332	346	333	358	378	395	375	403	426	444	414	445	470	490	
85	1400	Lo PR	109	116	127	135	116	123	134	143	120	128	139	149	126	134	146	156	132	141	154	163	137	145	159	169	
		MBh	47.0	47.9	50.1	53.5	45.9	46.7	49.0	52.2	44.8	45.6	47.8	51.0	43.7	44.5	46.6	49.7	41.5	42.3	44.3	47.3	38.4	39.2	41.0	43.8	
80	1800	S/T	1.00	0.97	0.87	0.71	1.00	1.00	0.90	0.73	1.00	1.00	0.93	0.75	1.00	1.00	0.96	0.78	1.00	1.00	0.99	0.81	1.00	1.00	1.00	0.81	
		DT	24	24	22	19	23	24	23	20	23	23	23	20	22	23	23	20	21	22	22	19	20	20	21	18	
85	1600	kW	3.28	3.34	3.43	3.54	3.50	3.57	3.68	3.79	3.71	3.78	3.90	4.02	3.89	3.97	4.09	4.21	4.04	4.12	4.25	4.38	4.17	4.26	4.39	4.53	
		Amps	14.2	14.5	14.9	15.3	15.1	15.4	15.9	16.4	16.2	16.5	17.0	17.5	17.1	17.5	18.0	18.6	18.1	18.5	19.0	19.6	19.0	19.4	20.0	20.6	
80	1400	Hi PR	241	259	274	285	270	291	307	320	307	331	349	364	350	377	398	415	394	424	448	467	435	468	495	516	
		Lo PR	115	122	134	142	121	129	141	150	126	134	147	156	133	141	154	164	139	148	161	172	144	153	167	178	
85	1800	MBh	45.6	46.5	48.7	51.9	44.5	45.4	47.5	50.7	43.5	44.3	46.4	49.5	42.4	43.2	45.3	48.3	40.3	41.1	43.0	45.9	37.3	38.0	39.8	42.5	
		S/T	0.96	0.92	0.83	0.67	0.99	0.96	0.86	0.70	1.00	0.98	0.88	0.72	1.00	1.00	0.91	0.74	1.00	1.00	0.95	0.77	1.00	1.00	0.96	0.77	
80	1600	DT	25	25	23	20	25	25	24	20	25	25	24	20	24	25	24	21	23	24	23	20	21	22	22	19	
		kW	3.25	3.31	3.41	3.51	3.48	3.55	3.65	3.76	3.68	3.75	3.87	3.98	3.86	3.94	4.06	4.18	4.01	4.09	4.22	4.35	4.14	4.22	4.35	4.49	
85	1400	Amps	14.1	14.4	14.8	15.2	15.0	15.3	15.7	16.2	16.1	16.4	16.9	17.4	17.0	17.4	17.9	18.4	17.9	18.3	18.8	19.4	18.8	19.2	19.8	20.4	
		Hi PR	238	257	271	283	268	288	304	317	304	328	346	361	347	373	394	411	390	420	443	462	431	464	490	511	
80	1800	Lo PR	114	121	132	141	120	128	140	149	125	133	145	155	131	140	153	162	138	146	160	170	142	151	165	176	
		MBh	42.1	42.9	44.9	47.9	41.1	41.9	43.9	46.8	40.1	40.9	42.8	45.7	39.1	39.9	41.8	44.6	37.2	37.9	39.7	42.4	34.4	35.1	36.8	39.2	
85	1600	S/T	0.92	0.89	0.80	0.65	0.95	0.92	0.83	0.67	0.98	0.94	0.85	0.69	1.00	0.97	0.88	0.71	1.00	1.00	0.91	0.74	1.00	1.00	0.92	0.75	
		DT	25	25	24	20	26	25	24	21	26	26	24	21	26	26	24	21	24	25	24	21	23	23	22	19	
80	1400	kW	3.18	3.24	3.33	3.43	3.40	3.47	3.57	3.68	3.60	3.67	3.78	3.89	3.77	3.84	3.96	4.08	3.91	3.99	4.12	4.24	4.04	4.12	4.25	4.38	
		Amps	13.8	14.1	14.4	14.9	14.7	15.0	15.4	15.9	15.7	16.0	16.5	17.0	16.6	17.0	17.4	18.0	17.5	17.9	18.4	19.0	18.4	18.8	19.3	20.0	
85	1800	Hi PR	231	249	263	274	260	279	295	308	295	318	335	350	336	362	382	399	378	407	430	448	418	450	475	495	
		Lo PR	110	117	128	137	117	124	136	144	121	129	141	150	127	136	148	158	133	142	155	165	138	147	160	171	

kW = Total system power  
Amps: Unit amps (compressor+ evaporator + condenser fan motors).

Shaded area reflects AHRI (TVA) conditions.

IDB: Entering Indoor Dry Bulb Temperature  
High and low pressures are measured at the liquid and suction access fittings.

EXPANDED COOLING DATA — GPC1360H41\*\*

IDB	AIRFLOW	OUTDOOR AMBIENT TEMPERATURE												ENTERING INDOOR WET BULB TEMPERATURE											
		65°F				75°F				85°F				95°F				105°F				115°F			
		59	63	67	71	59	63	67	71	59	63	67	71	59	63	67	71	59	63	67	71	59	63	67	71
70	MBh	56.3	58.4	64.0	-	55.0	57.0	62.5	-	53.7	55.7	61.0	-	52.4	54.3	59.5	-	49.8	51.6	56.5	-	46.1	47.8	52.4	-
	S/T	0.71	0.59	0.41	-	0.74	0.62	0.43	-	0.76	0.63	0.44	-	0.78	0.65	0.45	-	0.81	0.68	0.47	-	0.82	0.68	0.47	-
	ΔT	19	16	12	-	19	17	13	-	19	17	13	-	19	17	13	-	19	16	13	-	18	15	12	-
	kW	4.17	4.26	4.39	-	4.49	4.59	4.73	-	4.77	4.88	5.03	-	5.02	5.13	5.30	-	5.23	5.35	5.53	-	5.41	5.54	5.72	-
	Amps	17.6	17.9	18.4	-	18.8	19.2	19.8	-	20.2	20.7	21.3	-	21.5	22.0	22.6	-	22.7	23.2	23.9	-	24.0	24.5	25.2	-
HI PR	249	268	283	-	279	300	317	-	317	341	361	-	361	389	411	-	407	438	462	-	449	483	510	-	
LO PR	109	116	127	-	116	123	134	-	120	128	140	-	126	134	147	-	132	141	154	-	137	146	159	-	
70	MBh	54.7	56.7	62.1	-	53.4	55.4	60.7	-	52.2	54.1	59.2	-	50.9	52.7	57.8	-	48.3	50.1	54.9	-	44.8	46.4	50.9	-
	S/T	0.68	0.57	0.39	-	0.70	0.59	0.41	-	0.72	0.60	0.42	-	0.75	0.62	0.43	-	0.77	0.65	0.45	-	0.78	0.65	0.45	-
	ΔT	20	17	13	-	20	17	13	-	20	17	13	-	20	17	13	-	20	17	13	-	19	16	12	-
	kW	4.14	4.22	4.36	-	4.45	4.55	4.69	-	4.73	4.84	4.99	-	4.98	5.09	5.26	-	5.19	5.30	5.48	-	5.37	5.49	5.67	-
	Amps	17.4	17.8	18.3	-	18.7	19.0	19.6	-	20.1	20.5	21.1	-	21.3	21.8	22.4	-	22.5	23.0	23.7	-	23.8	24.3	25.0	-
HI PR	246	265	280	-	276	297	314	-	314	338	357	-	358	385	407	-	403	433	457	-	445	479	505	-	
LO PR	108	115	126	-	114	122	133	-	119	127	138	-	125	133	145	-	131	139	152	-	135	144	157	-	
70	MBh	50.5	52.3	57.3	-	49.3	51.1	56.0	-	48.1	49.9	54.7	-	47.0	48.7	53.3	-	44.6	46.2	50.7	-	41.3	42.8	46.9	-
	S/T	0.65	0.55	0.38	-	0.68	0.57	0.39	-	0.70	0.58	0.40	-	0.72	0.60	0.42	-	0.75	0.62	0.43	-	0.75	0.63	0.44	-
	ΔT	20	17	13	-	20	18	13	-	20	18	13	-	20	18	13	-	20	17	13	-	19	16	12	-
	kW	4.04	4.12	4.25	-	4.35	4.44	4.58	-	4.62	4.72	4.87	-	4.86	4.96	5.12	-	5.06	5.17	5.34	-	5.23	5.35	5.53	-
	Amps	17.0	17.4	17.9	-	18.2	18.6	19.1	-	19.6	20.0	20.6	-	20.8	21.2	21.9	-	22.0	22.5	23.1	-	23.1	23.7	24.4	-
HI PR	239	257	271	-	268	288	304	-	305	328	346	-	347	374	394	-	390	420	444	-	431	464	490	-	
LO PR	105	112	122	-	111	118	129	-	115	123	134	-	121	129	141	-	127	135	148	-	131	140	153	-	

1948	MBh	57.3	59.0	63.9	68.5	56.0	57.6	62.4	66.9	54.6	56.3	60.9	65.3	53.3	54.9	59.4	63.8	50.6	52.1	56.4	60.6	46.9	48.3	52.3	56.1
	S/T	0.81	0.72	0.55	0.35	0.84	0.75	0.57	0.37	0.86	0.77	0.58	0.37	0.89	0.79	0.60	0.39	0.92	0.82	0.62	0.40	0.93	0.83	0.63	0.40
	ΔT	22	20	17	11	22	20	17	12	22	20	17	12	22	21	17	12	22	20	17	11	21	19	16	11
	kW	4.20	4.29	4.43	4.57	4.53	4.62	4.77	4.93	4.81	4.92	5.08	5.24	5.06	5.17	5.34	5.52	5.28	5.39	5.57	5.76	5.46	5.58	5.77	5.97
	Amps	17.7	18.1	18.6	19.2	19.0	19.4	19.9	20.6	20.4	20.9	21.5	22.2	21.7	22.1	22.8	23.6	22.9	23.4	24.1	25.0	24.2	24.7	25.5	26.4
HI PR	251	270	285	298	282	303	320	334	321	345	364	380	365	393	415	433	411	442	467	487	454	488	516	538	
LO PR	111	118	128	137	117	124	136	144	121	129	141	150	128	136	148	158	134	142	155	165	138	147	161	171	
75	MBh	55.6	57.3	62.0	66.5	54.3	55.9	60.6	65.0	53.0	54.6	59.1	63.4	51.8	53.3	57.7	61.9	49.2	50.6	54.8	58.8	45.5	46.9	50.8	54.5
	S/T	0.77	0.69	0.52	0.34	0.80	0.72	0.54	0.35	0.82	0.73	0.56	0.36	0.85	0.76	0.57	0.37	0.88	0.79	0.60	0.38	0.89	0.79	0.60	0.39
	ΔT	23	21	17	12	23	21	17	12	23	21	17	12	23	21	18	12	23	21	17	12	21	20	16	11
	kW	4.17	4.26	4.39	4.53	4.49	4.59	4.73	4.89	4.77	4.88	5.03	5.20	5.02	5.13	5.30	5.48	5.23	5.35	5.53	5.71	5.42	5.54	5.72	5.92
	Amps	17.6	17.9	18.4	19.0	18.8	19.2	19.8	20.4	20.2	20.7	21.3	22.0	21.5	22.0	22.6	23.4	22.7	23.2	23.9	24.8	24.0	24.5	25.2	26.1
HI PR	249	268	283	295	279	300	317	331	317	342	361	376	361	389	411	428	407	438	462	482	449	484	511	533	
LO PR	109	116	127	135	116	123	134	143	120	128	140	149	126	134	147	156	132	141	154	164	137	146	159	169	
1518	MBh	51.3	52.9	57.2	61.4	50.2	51.6	55.9	60.0	49.0	50.4	54.6	58.6	47.8	49.2	53.2	57.1	45.4	46.7	50.6	54.3	42.0	43.3	46.8	50.3
	S/T	0.74	0.67	0.50	0.32	0.77	0.69	0.52	0.34	0.79	0.71	0.54	0.34	0.82	0.73	0.55	0.36	0.85	0.76	0.57	0.37	0.85	0.76	0.58	0.37
	ΔT	23	21	17	12	23	22	18	12	23	22	18	12	24	22	18	12	23	21	18	12	22	20	16	11
	kW	4.07	4.16	4.29	4.42	4.38	4.47	4.62	4.77	4.66	4.76	4.91	5.07	4.90	5.00	5.17	5.34	5.10	5.21	5.39	5.57	5.28	5.40	5.58	5.76
	Amps	17.1	17.5	18.0	18.6	18.4	18.7	19.3	19.9	19.7	20.2	20.8	21.5	21.0	21.4	22.1	22.8	22.2	22.6	23.3	24.1	23.3	23.9	24.6	25.5
HI PR	241	260	274	286	271	291	308	321	308	331	350	365	351	377	398	416	394	424	448	468	436	469	495	517	
LO PR	106	113	123	131	112	119	130	139	117	124	135	144	122	130	142	151	128	137	149	159	133	141	154	164	

IDB: Entering Indoor Dry Bulb Temperature  
 High and low pressures are measured at the liquid and suction access fittings.  
 Shaded area reflects ACCA (TVA) conditions  
 Amps: Unit amps (compressor+ evaporator + condenser fan motors).  
 kW = Total system power



EXPANDED COOLING DATA — GPC1360H41\*\* (CONT.)

IDB	AIRFLOW	OUTDOOR AMBIENT TEMPERATURE												ENTERING INDOOR WET BULB TEMPERATURE											
		65°F				75°F				85°F				95°F				105°F				115°F			
		59	63	67	71	59	63	67	71	59	63	67	71	59	63	67	71	59	63	67	71	59	63	67	71
1948	MBh	58.3	59.6	63.7	68.1	57.0	58.2	62.2	66.5	55.6	56.8	60.7	64.9	54.3	55.4	59.2	63.3	51.5	52.7	56.3	60.1	47.7	48.8	52.1	55.7
	S/T	0.89	0.83	0.68	0.51	0.92	0.86	0.70	0.52	0.94	0.88	0.72	0.54	1.00	0.91	0.74	0.56	1.00	0.95	0.77	0.58	1.00	0.96	0.78	0.58
	ΔT	24	23	20	16	25	24	21	16	25	24	21	16	26	24	21	17	24	24	20	16	23	22	19	15
	kW	4.24	4.33	4.46	4.61	4.56	4.66	4.81	4.97	4.85	4.96	5.12	5.29	5.11	5.22	5.39	5.57	5.32	5.44	5.62	5.81	5.51	5.63	5.82	6.02
	Amps	17.8	18.2	18.7	19.4	19.1	19.5	20.1	20.8	20.6	21.0	21.7	22.4	21.8	22.3	23.0	23.8	23.1	23.6	24.4	25.2	24.4	24.9	25.7	26.6
	HI PR	254	273	288	301	285	306	324	337	324	348	368	384	369	397	419	437	415	446	471	492	458	493	521	543
	LO PR	112	119	130	138	118	126	137	146	123	130	142	152	129	137	150	159	135	144	157	167	140	149	162	173
	MBh	56.6	57.9	61.8	66.1	55.3	56.5	60.4	64.5	54.0	55.2	58.9	63.0	52.7	53.8	57.5	61.5	50.0	51.1	54.6	58.4	46.3	47.4	50.6	54.1
	S/T	0.85	0.79	0.65	0.48	0.88	0.82	0.67	0.50	0.90	0.84	0.69	0.51	0.93	0.87	0.71	0.53	0.96	0.90	0.74	0.55	0.97	0.91	0.74	0.55
	ΔT	26	24	21	17	26	25	22	17	26	25	22	17	26	25	22	17	26	25	21	17	24	23	20	16
kW	4.20	4.29	4.43	4.57	4.53	4.62	4.77	4.93	4.81	4.92	5.08	5.24	5.06	5.17	5.35	5.52	5.28	5.39	5.57	5.76	5.46	5.58	5.77	5.97	
Amps	17.7	18.1	18.6	19.2	19.0	19.4	19.9	20.6	20.4	20.9	21.5	22.2	21.7	22.1	22.8	23.6	22.9	23.4	24.1	25.0	24.2	24.7	25.5	26.4	
HI PR	251	270	285	298	282	303	320	334	321	345	364	380	365	393	415	433	411	442	467	487	454	488	516	538	
LO PR	111	118	128	137	117	124	136	144	121	129	141	150	128	136	148	158	134	142	155	165	138	147	161	171	
MBh	52.3	53.4	57.1	61.0	51.0	52.2	55.7	59.6	49.8	50.9	54.4	58.2	48.6	49.7	53.1	56.7	46.2	47.2	50.4	53.9	42.8	43.7	46.7	49.9	
S/T	0.82	0.77	0.62	0.47	0.85	0.79	0.65	0.48	0.87	0.81	0.66	0.50	0.90	0.84	0.68	0.51	0.93	0.87	0.71	0.53	0.94	0.88	0.72	0.53	
ΔT	26	25	22	17	26	25	22	17	26	25	22	17	26	25	22	18	26	25	22	17	24	23	20	16	
kW	4.10	4.19	4.32	4.46	4.42	4.51	4.66	4.81	4.69	4.80	4.95	5.11	4.94	5.05	5.21	5.38	5.14	5.26	5.43	5.61	5.32	5.44	5.62	5.81	
Amps	17.3	17.6	18.1	18.7	18.5	18.9	19.4	20.1	19.9	20.3	20.9	21.6	21.1	21.6	22.2	23.0	22.3	22.8	23.5	24.3	23.5	24.1	24.8	25.7	
HI PR	244	262	277	289	273	294	311	324	311	335	353	369	354	381	402	420	398	429	453	472	440	474	500	522	
LO PR	107	114	125	133	113	121	132	140	118	125	137	146	124	132	144	153	130	138	151	160	134	143	156	166	
1518	MBh	59.3	60.5	63.3	67.6	58.0	59.1	61.9	66.0	56.6	57.7	60.4	64.4	55.2	56.3	58.9	62.9	52.4	53.5	56.0	59.7	48.6	49.5	51.9	55.3
	S/T	0.93	0.90	0.81	0.66	0.96	0.93	0.84	0.68	0.99	0.95	0.86	0.70	1.00	0.99	0.89	0.72	1.00	1.00	0.92	0.75	1.00	1.00	0.93	0.75
	ΔT	26	26	24	21	26	26	25	21	26	26	25	21	26	26	25	21	25	25	24	21	23	23	23	20
	kW	4.27	4.36	4.50	4.64	4.60	4.70	4.85	5.01	4.89	5.00	5.16	5.33	5.15	5.26	5.43	5.62	5.37	5.49	5.67	5.86	5.55	5.68	5.87	6.07
	Amps	18.0	18.4	18.9	19.5	19.3	19.7	20.3	20.9	20.7	21.2	21.8	22.6	22.0	22.5	23.2	24.0	23.3	23.8	24.6	25.4	24.6	25.1	25.9	26.8
	HI PR	256	276	291	304	288	309	327	341	327	352	372	388	372	401	423	441	419	451	476	497	463	498	526	549
	LO PR	113	120	131	139	119	127	138	147	124	132	144	153	130	138	151	161	136	145	158	169	141	150	164	174
	MBh	57.6	58.7	61.5	65.6	56.3	57.4	60.1	64.1	54.9	56.0	58.6	62.6	53.6	54.6	57.2	61.0	50.9	51.9	54.4	58.0	47.2	48.1	50.3	53.7
	S/T	0.89	0.86	0.77	0.63	0.92	0.89	0.80	0.65	0.94	0.91	0.82	0.67	0.97	0.94	0.85	0.69	1.00	0.98	0.88	0.71	1.00	0.98	0.89	0.72
	ΔT	27	27	25	22	28	27	26	22	28	27	26	22	28	27	26	22	27	27	25	22	25	25	24	21
kW	4.24	4.33	4.46	4.61	4.56	4.66	4.81	4.97	4.85	4.96	5.12	5.29	5.11	5.22	5.39	5.57	5.32	5.44	5.62	5.81	5.51	5.63	5.82	6.02	
Amps	17.8	18.2	18.7	19.4	19.1	19.5	20.1	20.8	20.6	21.0	21.7	22.4	21.8	22.3	23.0	23.8	23.1	23.6	24.4	25.2	24.4	24.9	25.7	26.6	
HI PR	254	273	288	301	285	306	324	337	324	348	368	384	369	397	419	437	415	446	471	492	458	493	521	543	
LO PR	112	119	130	138	118	126	137	146	123	130	142	152	129	137	150	159	135	144	157	167	140	149	162	173	
MBh	53.2	54.2	56.8	60.6	51.9	52.9	55.4	59.2	50.7	51.7	54.1	57.7	49.5	50.4	52.8	56.3	47.0	47.9	50.2	53.5	43.5	44.4	46.5	49.6	
S/T	0.86	0.83	0.75	0.60	0.89	0.86	0.77	0.63	0.91	0.88	0.79	0.64	0.94	0.91	0.82	0.66	0.97	0.94	0.85	0.69	0.98	0.95	0.86	0.69	
ΔT	28	27	26	22	28	27	26	22	28	27	26	22	28	28	26	23	28	27	26	22	26	25	24	21	
kW	4.14	4.22	4.36	4.49	4.45	4.55	4.69	4.85	4.73	4.83	4.99	5.16	4.98	5.09	5.25	5.43	5.19	5.30	5.48	5.66	5.37	5.49	5.67	5.86	
Amps	17.4	17.8	18.3	18.9	18.6	19.0	19.6	20.2	20.1	20.5	21.1	21.8	21.3	21.8	22.4	23.2	22.5	23.0	23.7	24.6	23.7	24.3	25.0	25.9	
HI PR	246	265	280	292	276	297	314	327	314	338	357	372	358	385	406	424	402	433	457	477	445	478	505	527	
LO PR	108	115	126	134	114	122	133	142	119	127	138	147	125	133	145	155	131	139	152	162	135	144	157	168	

IDB: Entering Indoor Dry Bulb Temperature  
 High and low pressures are measured at the liquid and suction access fittings.  
 Shaded area reflects AHRI (TVA) conditions.  
 Amps: Unit amps (compressor+ evaporator + condenser fan motors).  
 kW = Total system power

**AIRFLOW DATA**

MODEL	MOTOR SPEED	VOLTS		E.S.P (IN. OF H <sub>2</sub> O)							
				0.1	0.2	0.3	0.4	0.5	0.6	0.7	0.8
GPC13 24H41**	Low	230	CFM	680	640	590	555	505	440	340	-
			Watts	155	150	145	140	130	120	110	-
	Med	230	CFM	895	855	815	755	700	630	545	390
GPC13 30H41**	Low	230	CFM	1,150	1,080	1,025	975	925	845	-	-
			Watts	340	330	315	305	295	280	-	-
	Med	230	CFM	1,335	1,275	1,205	1,135	1,075	985	910	845
GPC13 36H41**	Low	230	CFM	1,180	1,125	1,075	1,020	955	875	655	-
			Watts	335	325	315	305	295	275	240	-
	Med	230	CFM	1,350	1,280	1,205	1,130	1,050	985	910	845
GPC13 42H41**	Low	230	CFM	1,425	1,410	1,355	1,310	1,245	1,170	1,080	-
			Watts	450	445	430	420	405	390	370	-
	Med	230	CFM	1,620	1,595	1,545	1,485	1,425	1,345	1,250	1,160
GPC13 49H41**	Low	230	CFM	1,425	1,410	1,355	1,310	1,245	1,170	1,080	-
			Watts	450	445	430	420	405	390	370	-
	Med	230	CFM	1,620	1,595	1,545	1,485	1,425	1,345	1,250	1,160
GPC13 60H41**	"T" 1 Low	230	CFM	1,750	1,702	1,654	1,606	1,557	1,509	1,461	1,413
			Watts	334	342	349	357	365	373	381	388
	"T" 2 Med	230	CFM	1,967	1,919	1,871	1,823	1,774	1,726	1,678	1,630
GPC13 60H41**	"T" 3 High	230	CFM	2,106	2,058	2,009	1,961	1,913	1,865	1,817	1,768
			Watts	577	585	592	600	608	616	624	631

**NOTES**

- Data shown is dry coil; wet coil pressure drop is approximate.
- 0.1" H<sub>2</sub>O, for 2-row indoor coil; 0.2" H<sub>2</sub>O, for 3-row indoor coil; and 0.3" H<sub>2</sub>O, for 4-row indoor coil
- Data shown does not include filter pressure drop, approx. 0.08" H<sub>2</sub>O.
- ALL MODELS SHOULD RUN NO LESS THAN 350 CFM / TON, USE HIGHER SPEED TAP OR NEXT SIZE LARGER BLOWER ASM. See Repair Parts list.
- Reduce airflow by 2% for 208V operation.



## HEAT KIT ELECTRICAL DATA (BLOWER ONLY, HEAT MODE)

MODEL AND HEAT KIT USAGE	CIRCUIT #1		CIRCUIT #2		SINGLE-POINT KIT		ACTUAL KW / BTU@ 240V
	MCA <sup>1</sup>	MOP <sup>2</sup>	MCA <sup>1</sup>	MOP <sup>2</sup>	MCA <sup>1</sup>	MOP <sup>2</sup>	
<b>GPC1324H41**</b>	1.9	---	---	---	--	--	---
HKR-05*, HKR-05C*	21 / 25	25 / 25	---	---	24 / 27	25 / 30	4.75 / 16,200
HKR-08*, HKR-08C*	32 / 36	35 / 40	---	---	33 / 38	35 / 40	7 / 23,800
HKR-10*, HKR-10C*	43 / 49	45 / 50	---	---	45 / 51	50 / 60	9.5 / 32,400
<b>GPC1330H41**</b>	2.3	---	---	---	--	--	---
HKR-05*, HKR-05C*	21 / 25	25 / 25	---	---	24 / 27	30 / 30	4.75 / 16,200
HKR-08*, HKR-08C*	32 / 36	35 / 40	---	---	34 / 39	40 / 40	7 / 23,800
HKR-10*, HKR-10C*	43 / 49	45 / 50	---	---	45 / 52	60 / 60	9.5 / 32,400
HKP-15C*	43 / 49	45 / 50	21 / 25	25 / 25	67 / 77	70 / 80	14.25 / 48,600
<b>GPC1336H41**</b>	2.3	---	---	---	--	--	---
HKR-05*, HKR-05C*	21 / 25	25 / 25	---	---	24 / 27	40 / 40	4.75 / 16,200
HKR-08*, HKR-08C*	32 / 36	35 / 40	---	---	34 / 39	40 / 40	7 / 23,800
HKR-10*, HKR-10C*	43 / 49	45 / 50	---	---	45 / 52	60 / 60	9.5 / 32,400
HKP-15C*	43 / 49	45 / 50	21 / 25	25 / 25	67 / 77	70 / 80	14.25 / 48,600
<b>GPC1342H41**</b>	3.6	---	---	---	--	--	---
HKR-05*, HKR-05C*	21 / 25	25 / 25	---	---	27	40 / 40	4.75 / 16,200
HKR-08*, HKR-08C*	32 / 36	35 / 40	---	---	34 / 39	40 / 40	7 / 23,800
HKR-10*, HKR-10C*	43 / 49	45 / 50	---	---	46 / 52	60 / 60	9.5 / 32,400
HKP-15C*	43 / 49	45 / 50	21 / 25	25 / 25	68 / 78	70 / 80	14.25 / 48,600
HKP-20C	43 / 49	45 / 50	43 / 49	45 / 50	90 / 103	90 / 110	19.0 / 64,800
<b>GPC1349H41**</b>	3.6	---	---	---	--	--	---
HKR-05*, HKR-05C*	21 / 25	25 / 25	---	---	29	45	4.75 / 16,200
HKR-08*, HKR-08C*	32 / 36	35 / 40	---	---	34 / 40	45	7 / 23,800
HKR-10*, HKR-10C*	43 / 49	45 / 50	---	---	46 / 53	60 / 60	9.5 / 32,400
HKP-15C	43 / 49	45 / 50	21 / 25	25 / 25	68 / 78	70 / 80	14.25 / 48,600
HKP-20C	43 / 49	45 / 50	43 / 49	45 / 50	90 / 103	90 / 110	19.0 / 64,800
<b>GPC1360H41**</b>	7.5	---	---	---	--	--	---
HKR-05*, HKR-05C*	21 / 25	25 / 25	---	---	40	60	4.75 / 16,200
HKR-08*, HKR-08C*	32 / 36	35 / 40	---	---	40	60	7 / 23,800
HKR-10*, HKR-10C*	43 / 49	45 / 50	---	---	48 / 54	60 / 60	9.5 / 32,400
HKP-15C	43 / 49	45 / 50	21 / 25	25 / 25	70 / 80	80 / 90	14.25 / 48,600
HKP-20C	43 / 49	45 / 50	43 / 49	45 / 50	92 / 105	100 / 110	19.0 / 64,800

<sup>1</sup> Minimum Circuit Ampacity @ 208 / 240 V

<sup>2</sup> Maximum Overcurrent Protection Device @ 208 / 240 V

\* Revision level that may or may not be designated

C Circuit breaker option

^ Heat Kit requires three-phase power supply

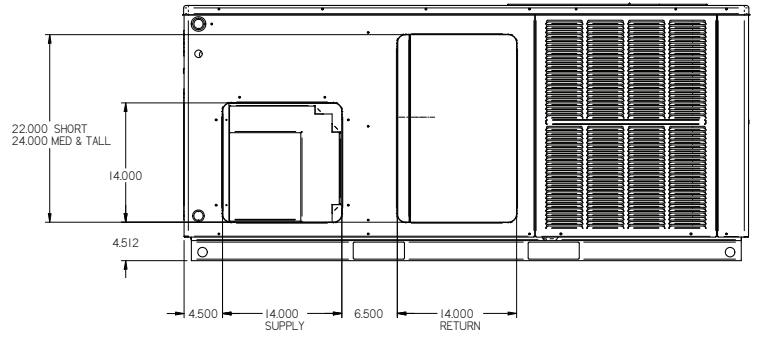
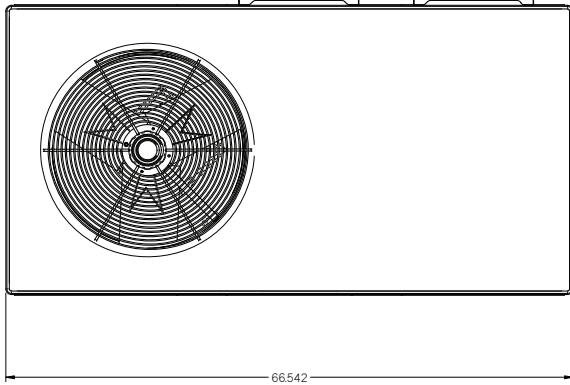
HKP-15C and HKP-20C replace HKR-15C and HKR-20C respectively to meet new UL1995 requirements.

### SINGLE-POINT KIT ACCESSORY KITS

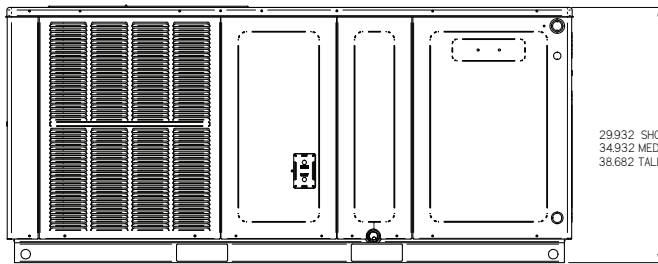
Select the single-point kit accessory based on the unit model.

MODEL	SINGLE-POINT KIT
GPC1324H41**	SPK-30
GPC1330H41**	SPK-35
GPC1336H41**	SPK-40
GPC1342H41**	SPK-40
GPC1349H41**	SPK-50
GPC1360H41**	SPK-60

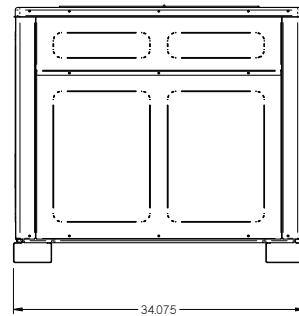
DIMENSIONS



BACK VIEW  
(DUCT OPENINGS)

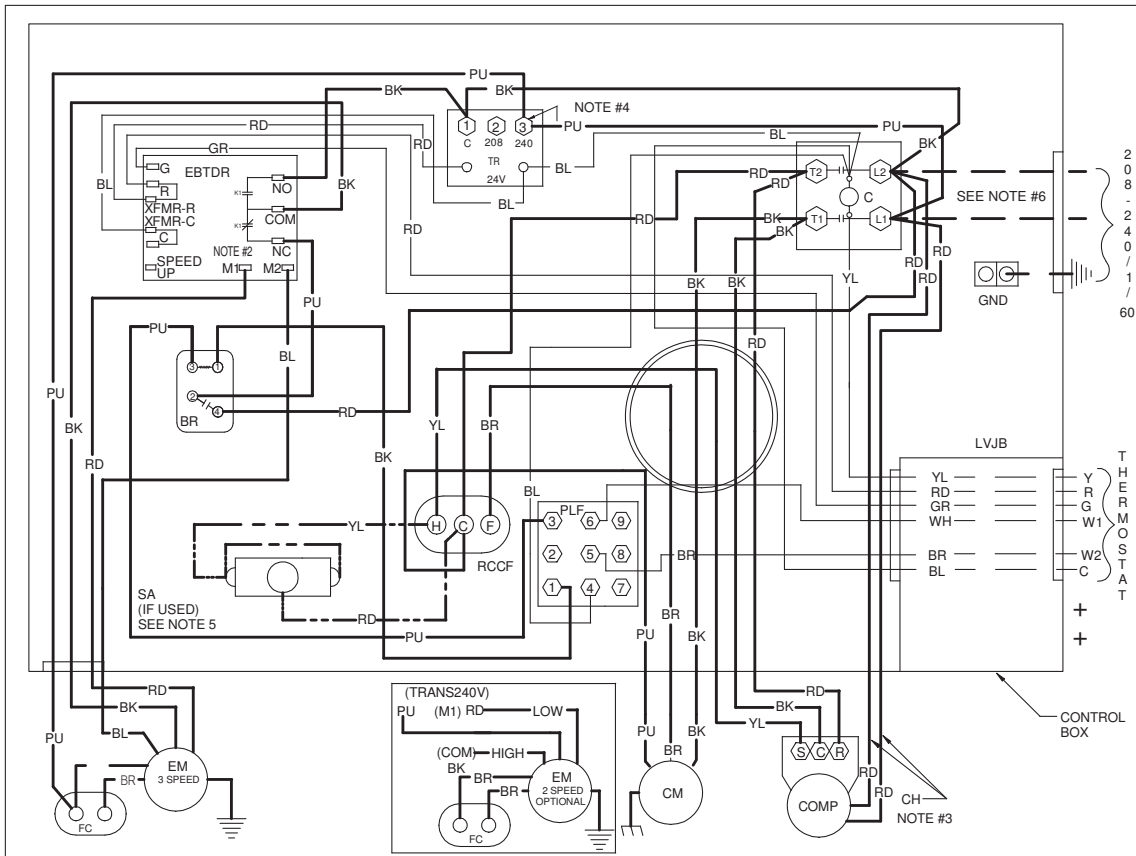


29.932 SHORT CHASSIS  
34.932 MEDIUM CHASSIS  
38.682 TALL CHASSIS



MODEL	DIMENSIONS			CHASSIS SIZE		
	W"	D"	H"	SMALL	MED.	LARGE
GPC1324H41**	66½	34	30	X		
GPC1330H41**	66½	34	30	X		
GPC1336H41**	66½	34	35		X	
GPC1342H41**	66½	34	35		X	
GPC1349H41**	66½	34	35		X	
GPC1360H41**	66½	34	38⅔			X

# WIRING DIAGRAM — GPC1324-49H41\*\*

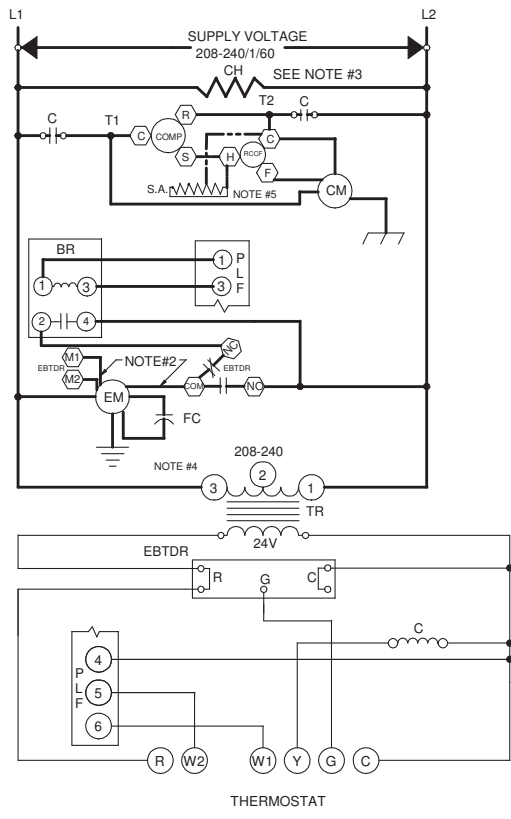


**High Voltage:** Disconnect all power before servicing or installing this unit. Multiple power sources may be present. Failure to do so may cause property damage, personal injury, or death.



**WARNING**

Wiring is subject to change. Always refer to the wiring diagram or the unit for the most up-to-date wiring.



**COMPONENT LEGEND**

- BR BLOWER INTERLOCK RELAY
- C CONTACTOR
- CH CRANKCASE HEATER
- CM CONDENSER MOTOR
- COMP COMPRESSOR
- EBTD ELECTRONIC BLOWER TIME DELAY
- R RELAY
- EM EVAPORATOR MOTOR
- FC FAN CAPACITOR
- GND EQUIPMENT GROUND
- LVJB LOW VOLTAGE JUNCTION BOX
- PLF FEMALE PLUG / CONNECTOR
- RCCF RUN CAPACITOR FOR COMPRESSOR AND FAN
- SA START ASSIST
- TR TRANSFORMER

**FACTORY WIRING**

- LINE VOLTAGE
- LOW VOLTAGE
- OPTIMAL HIGH VOLTAGE
- VOLTAGE

**FIELD WIRING**

- - HIGH VOLTAGE
- - LOW VOLTAGE

**WIRE CODE**

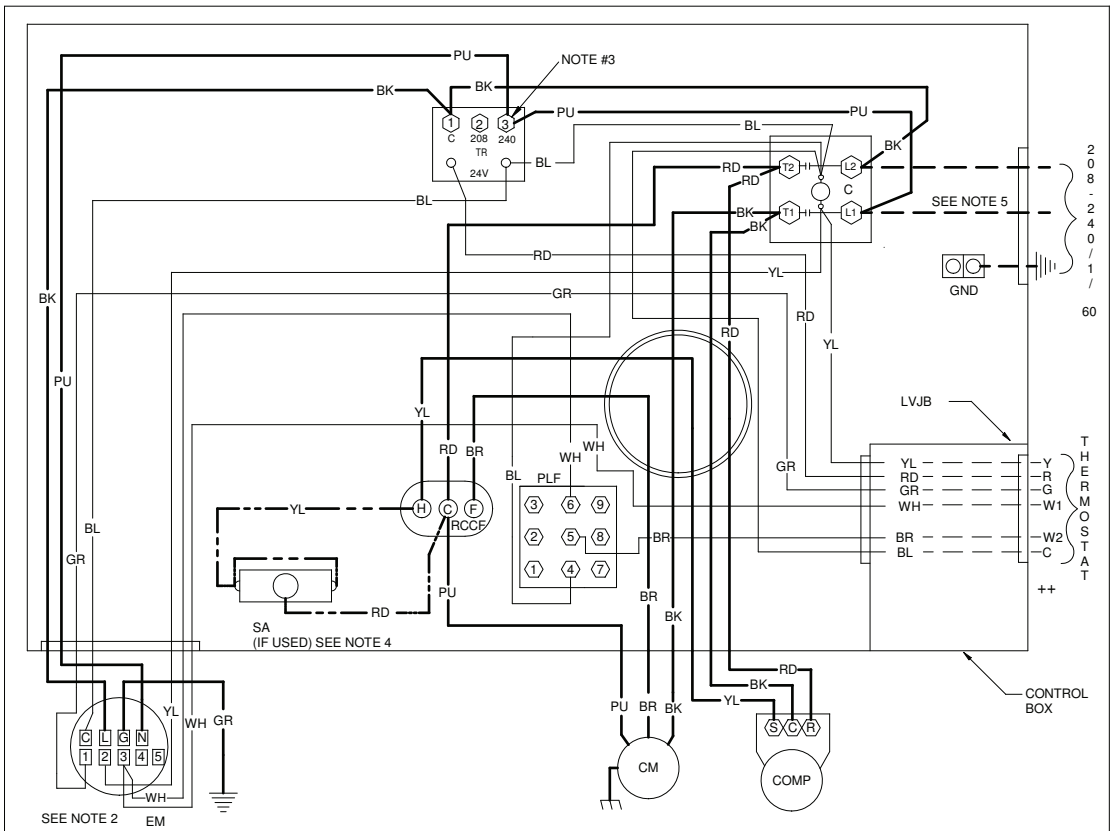
- BK BLACK
- BL BLUE
- BR BROWN
- GR GREEN
- OR ORANGE
- PU PURPLE
- RD RED
- WH WHITE
- YL YELLOW

**NOTES:**

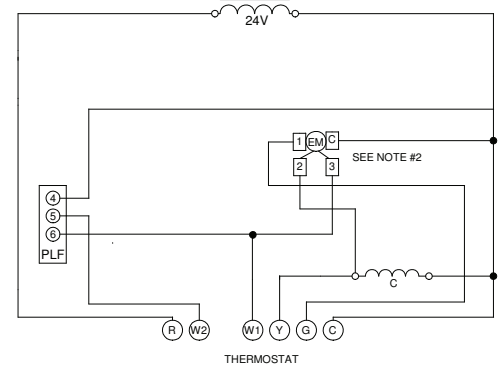
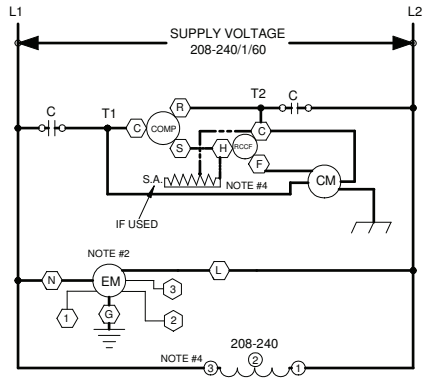
1. REPLACEMENT WIRE MUST BE SAME SIZE AND TYPE INSULATION AS ORIGINAL (AT LEAST 105°C) USE COPPER CONDUCTOR ONLY.
2. TO CHANGE EVAPORATOR MOTOR SPEED REPLACE LEAD ON EBTD "COM" WITH LEAD ON EBTD "M1" OR "M2"
3. CRANKCASE HEAT NOT SUPPLIED ON ALL UNITS.
4. FOR 208 VOLT TRANSFORMER OPERATION MOVE PURPLE WIRES FROM TERMINAL 3 TERMINAL 2 ON TRANSFORMER.
5. START ASSIST FACTOR EQUIPED WHEN REQUIRED
6. USE COPPER CONDUCTORS ONLY
- ++ USE N.E.C. CLASS 2 WIRE

SEE UNIT RATING PLATE FOR TYPE AND SIZE OF OVER CURRENT PROTECTION

# WIRING DIAGRAM — GPC1360H41\*\*



SEE NOTE 2 EM



**COMPONENT LEGEND**

- C CONTACTOR
- CM CONDENSER MOTOR
- COMP COMPRESSOR
- EM EVAPORATOR MOTOR
- GND EQUIPMENT GROUND
- LVJB LOW VOLTAGE JUNCTION BOX
- PLF FEMALE PLUG / CONNECTOR
- RCCF RUN CAPACITOR FOR COMPRESSOR AND FAN
- SA START ASSIST
- TR TRANSFORMER

**FACTORY WIRING**

- LINE VOLTAGE
- LOW VOLTAGE
- OPTIMAL HIGH VOLTAGE
- VOLTAGE

**FIELD WIRING**

- - HIGH VOLTAGE
- - LOW VOLTAGE

**WIRE CODE**

- BK BLACK
- BL BLUE
- BR BROWN
- GR GREEN
- OR ORANGE
- PU PURPLE
- RD RED
- WH WHITE
- YL YELLOW

**NOTES:**

1. REPLACEMENT WIRE MUST BE SAME SIZE AND TYPE INSULATION AS ORIGINAL (AT LEAST 105°C) USE COPPER CONDUCTOR ONLY.
  2. TO CHANGE EVAPORATOR MOTOR SPEED MOVE WHITE AND YELLOW LEADS FROM EM "2" AND "3" TO "4" AND "5". IF BOTH LEADS ARE ENERGIZED, THE HIGHER SPEED SETTING IS USED.
  3. FOR 208 VOLT TRANSFORMER OPERATION MOVE PURPLE WIRES FROM TERMINAL 3 TO TERMINAL 2 ON TRANSFORMER.
  4. START ASSIST FACTOR EQUIPPED WHEN REQUIRED
  5. USE COPPER CONDUCTORS ONLY.
- ++ USE N.E.C. CLASS 2 WIRE

SEE UNIT RATING PLATE FOR TYPE AND SIZE OF OVER CURRENT PROTECTION

208-240/1/60 0140G00407

**High Voltage:** Disconnect all power before servicing or installing this unit. Multiple power sources may be present. Failure to do so may cause property damage, personal injury, or death.

**WARNING**

Wiring is subject to change. Always refer to the wiring diagram or the unit for the most up-to-date wiring.